

ArcSource™ 4MC II.

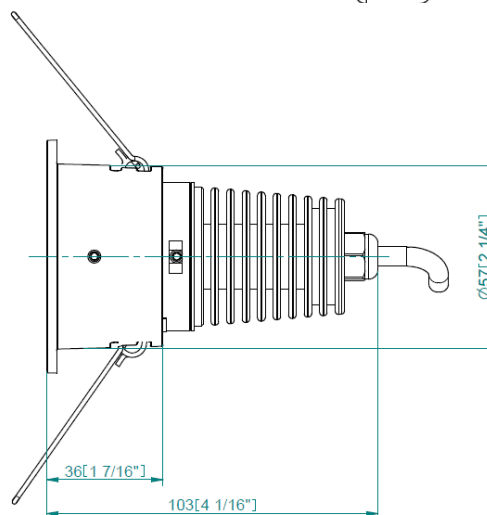
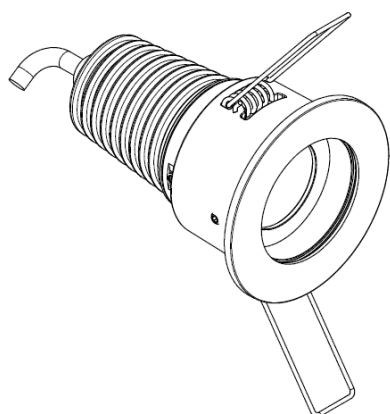
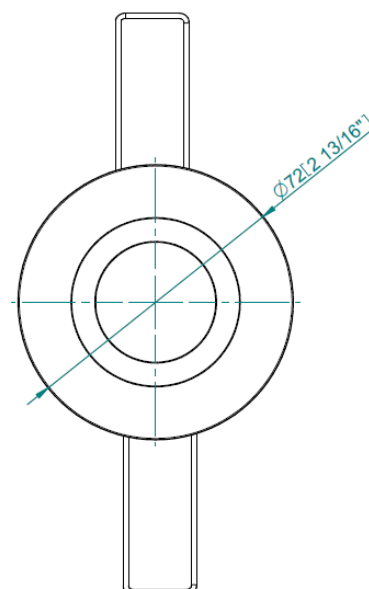
Client: _____ Specifier: _____

Project: _____ Type: _____ QTY: _____



Key features:

- 1 x High power multichip LED
- Delivered Lumen: 242lm @10°
- Projected LED Life: 60,000 Hrs
- Control: via ArcPower range
- Housing: Turned Aluminium
- Fixing Method: MR16 Housing and Spring Clip
- IP Rating: IP2x
- Operating Ambient Temp: -20°C/+40°C (-4°F/+104°F)
- Certification: ETL, cETL, CE, RoHS



Specification:

ELECTRICAL	Typical Power Consumption	5 W
	Max. Input Current	350 mA (per channel)
OPTICAL	Light Source	1 x High Power Multichip LED
	Colour Variants	RGBW (W - 6500 K), PW (W - 3000 K)
	Beam Angle	10°, 15°, 20°, 30°, 40°, 60°, 90°, 10°x30°, 10°x 60°, 35°x70°, 15°x90°
	Lumen Output Delivered	242 lm (RGBW @ 10°, all LEDs on full, 350 mA)
	Projected Lumen Maintenance	60.000 hrs (L70 @ 25 °C / 77 °F)
CONTROL	Power Supply	ArcPower range
PHYSICAL	Width x Height x Depth	∅72 x 103 mm (∅ 2.83 x 4.06 in.)
	Weight	0.3 kg / 0.66 lbs
	Housing	Precision Turned Aluminium
	Finish Options	Standard Colour - Graphite Black (RAL 9011), White (RAL 9016)
		Cost Option - Custom RAL
	Cables / Connections	24 AWG x 4P CAT 5 - 1.5 m (4.29 ft) - RJ45
	Mounting Method	MR16 Trim with Spring Clip (Included)
	Protection Factor	IP2X
	Cooling System	Convection
	Operating Ambient Temperature	-20 °C / +40 °C (-4 °F / +104 °F)
Operating Temperature	+58 °C @ Ambient +40 °C (+136 °F @ Ambient +104 °F)	
CERTIFICATION	Listings	ETL / cETL, CE, RoHS

ACCESSORIES		Cable splitter 1 to 2, RJ45 (included)
-------------	--	--

Connection:



LED Module	LED Multichips	Max. Number of connected modules	Compatible LED drivers
ArcSource 4MC II.	1	10	ArcPower 36/72/144/360
ArcSource 4MC II.	1	2	ArcPower 16x6
ArcSource 4MC II.	1	12	ArcPower 384, ArcPower Unit

Photometric overview:

Beam Angle	Lumen Output (lm)		
	RGBW (6500 K)	RGBA	PW (3000K)
10°	242	214	242
15°	244	215	244
20°	238	210	238
30°	236	208	236
40°	234	206	234
60°	220	194	220
90°	193	170	193
10° x 30°	263	232	263
10° x 60°	223	197	223
15° x 90°	202	178	202
35° x 70°	254	224	254