

AMBIANE™ XP56 RECESSED

Specifically designed for large theatres, concert halls, auditoriums, houses of worship and hotel foyers that require general ambient light, with the added ability to create mood, the Ambiane XP56 is the ideal, stylish solution. This high-performance RGBW luminaire delivers in excess of 6.000 lm and is perfect for setting the mood via its super-smooth colour mixing abilities. Available in 20°, 30°, 45° or 60° beam spreads Ambiane XP56 provides perfect coverage of any area. The incorporation of our L3™ (Low Light Linearity) dimming system allows seamless fades to black even when mixed with traditional sources. With no UV or IR emissions making it ideal for museums as well, the fixture is easily controlled via DMX or DALI and is RDM compatible. Ambiane XP56 has been designed for easy installation and is perfect to retrofit into existing PAR 56 size cut-outs.



KEY FEATURES

LED Output

High quality LED module with full spectrum LED selection | High efficiency LED engine with over 42 lm/W | True colours with CRI 90+ | Perfect optical performance with equally homogenised output | Up to 10.986 lm delivered (RGBNW at 60° 4000 K) | 4 different beam spreads (20°, 30°, 45°, 60°) for positioning freedom | Long LED life over 60.000 Hrs

Control

L3™ - Imperceptible 18 bit dimming for ultra smooth fade to black or colour mixing | DALI and DMX512 Control with RDM support for remote setting and device management | Intelligent power balancing (always 150W output in any mixed colour)

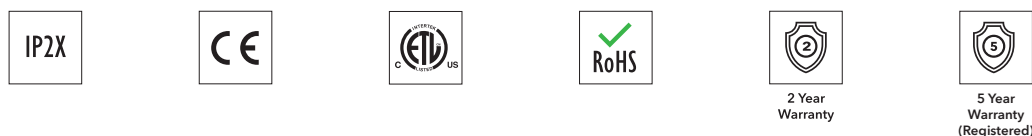
Installation

Par 56 direct replacement | Robust heatsink for fanless operation | Low input voltage of 48V DC for safe operation

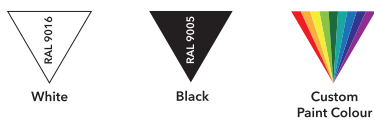
CONTROL & PROTOCOLS



STANDARD & SPECIFICATION



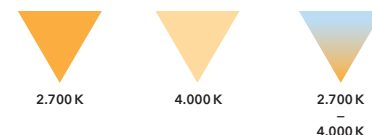
FINISH OPTIONS



COLOURS



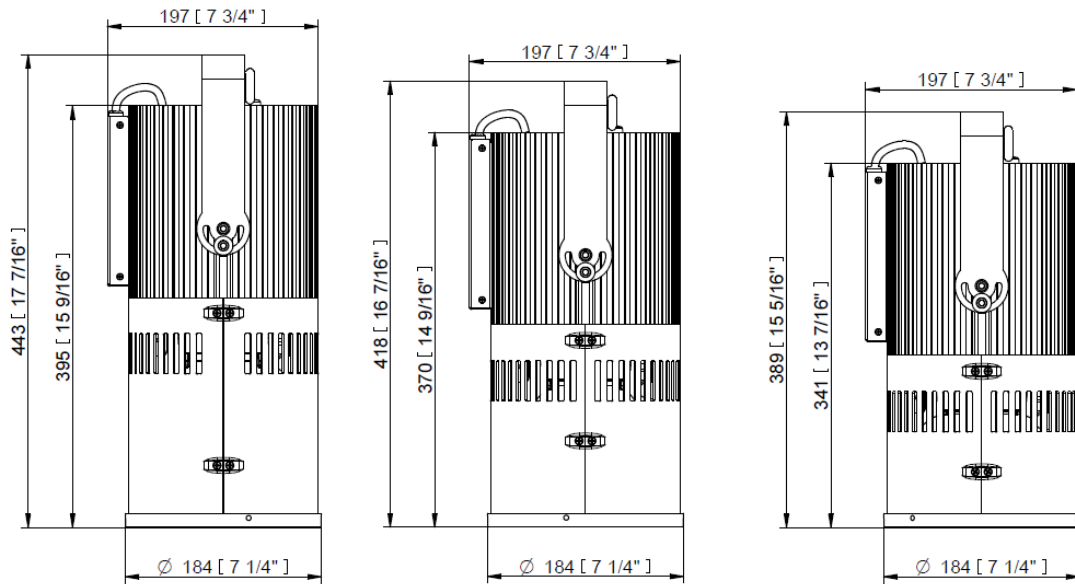
COLOUR TEMPERATURES



OPTIC OPTIONS



DIMENSIONS



Ambiane XP56 Recessed 20°, 30°

Ambiane XP56 Recessed 45°

Ambiane XP56 Recessed 60°

PHOTOMETRIC OVERVIEW

Based on data for Ambiane XP56 Recessed

Lumen Output (lm)

	RGBNW	RGBWW	PW (4000 K)	PW (2700 K)	TW (2700 K - 4000 K)
20°	7 983	5 948	10 252	8 185	5 948 / 7 983
30°	9 464	7 051	12 154	9 705	7 051 / 9 464
45°	9 636	7 180	12 376	9 881	7 180 / 9 636
60°	10 986	8 186	14 110	11 265	8 186 / 10 986

AMBIANE XP56 RECESSED SPECIFICATION

ELECTRICAL	Input Voltage	48V DC			
	Typical Power Consumption	150W + / - 10 %			
OPTICAL	Light Source	High Power LED module			
	Colour Variants	RGBW (W - 2700 K or 4000 K) PureWhite Tunable White Tungsten Dim			
	Colour Temperature of White	PW 2700 K or 4000 K, TW 2700-4000 K			
	CRI	90+			
	Beam Angle	20°, 30°, 45°, 60°			
	Lumen Output Delivered	7.983 lm (RGBNW @ 20° 4000 K)			
		9.464 lm (RGBNW @ 30° 4000 K)			
9.636 lm (RGBNW @ 45° 4000 K)					
10.986 lm (RGBNW @ 60° 4000 K)					
Projected Lumen Maintenance	60.000 hrs (L70 @ 25 °C / 77 °F)				
CONTROL	Interface Protocol	USITT DMX512, RDM, DALI, 0-10V			
	Control System	ArcControl Range or any Third Party Controller			
	DMX Modes	3			
	DMX Channels	4, 6, 10			
	Setting / Addressing	DIP Switch			
	Power Supply	Ambiane Power XP, Ambiane Power XP-G, Ambiane Power Rack or Third Party Constant Voltage 48V / 150W Power Supply			
PHYSICAL	Width x Height x Length	Ambiane XP56 Recessed 20°		ø184 x 395 mm (ø7.24 x 15.55 in.)	
		Ambiane XP56 Recessed 30°		ø184 x 395 mm (ø7.24 x 15.55 in.)	
		Ambiane XP56 Recessed 45°		ø184 x 370 mm (ø7.24 x 14.57 in.)	
		Ambiane XP56 Recessed 60°		ø184 x 341 mm (ø7.24 x 13.43 in.)	
	Weight	8.3 kg 18.3 lbs	8.3 kg 18.3 lbs	7.8 kg 17.2 lbs	7.7 kg 17 lbs
	Housing	High Pressure Extruded Aluminium Body Plastic Cover			
	Finish Options	Standard Color - Black RAL9005, White RAL9016			
		Cost Option - Custom RAL			
	Cables / Connections	Terminal Block (Power In, DMX In/Out, DALI In/Out, Back-up Power)			
	Mounting Method	Recessed, Via mounted bracket. Cut-Out Diameter: 186 mm / 7.32 in.			
	Protection Factor	IP2X			
Cooling System	Convection				
Operating Ambient Temperature	-20 °C / +40 °C (-4 °F / +104 °F)				
Operating Temperature	+75 °C @ Ambient +35 °C (167 °F @ Ambient 95 °F)				
CERTIFICATION	Listings	ETL / cETL, CE, RoHS			

ACCESSORIES	Mounting Accessories	Trim for Ambiane XP56 Recessed			
	Optical Accessories	Louver 5° for Ambiane XP56 Recessed			
		Louver 10° for Ambiane XP56 Recessed			
	Power Supply Options	Ambiane Power XP			
		Ambiane Power XP-G (CE / US)			
Ambiane Power Rack (CE / US)					

AMBIANE POWER XP - G (CE / US) SPECIFICATION

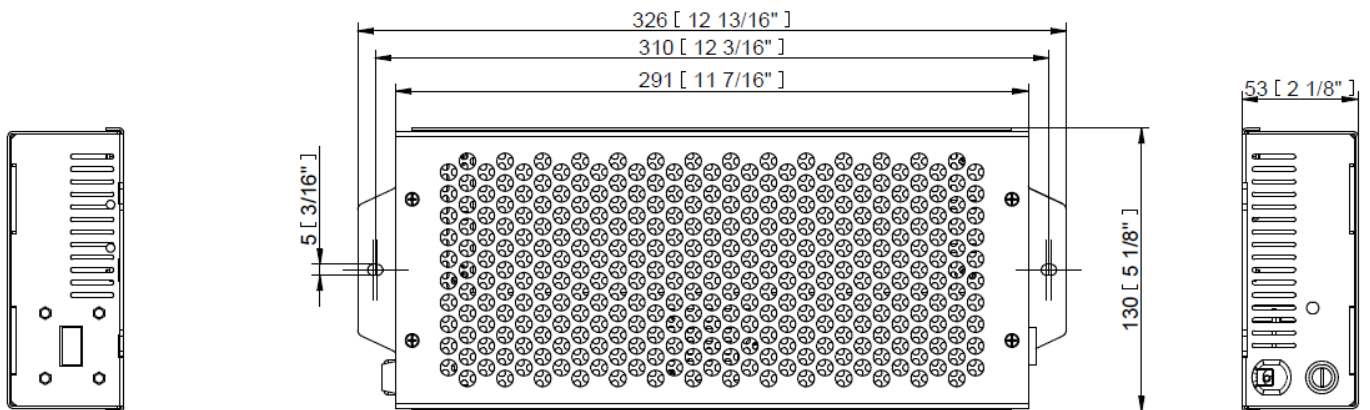
ELECTRICAL	Input Voltage	100 - 277V AC 50 / 60 Hz
	Typical Power Consumption	240W + / - 10 %
	Output Voltage	48V DC
	Outputs	1
	Max. Load	150W each output
	Power Supply	Integrated
PHYSICAL	Length x Width x Height	326 x 130 x 53 mm (12.83 x 5.12 x 2.09 in.)
	Weight	2.5 kg
	Finish Options	Standard Colour - Graphite Black (RAL 9011), Silver (RAL9006)
		Cost Option - Custom RAL
	Cables / Connections	1 x Terminal Block (DC power Out)
		1 x Main Power Cord
	Mounting Method	Surface Mount
	Protection Factor	IP2X
	Cooling System	Convection
Operating Ambient Temperature	-20 °C / +40 °C (-4 °F / +104 °F)	
Operating Temperature	+75 °C @ Ambient +35 °C (167 °F @ Ambient 95 °F)	
CERTIFICATION	Listings	ETL / cETL pending, CE, RoHS

AMBIANE POWER RACK (CE / US) - SPECIFICATION

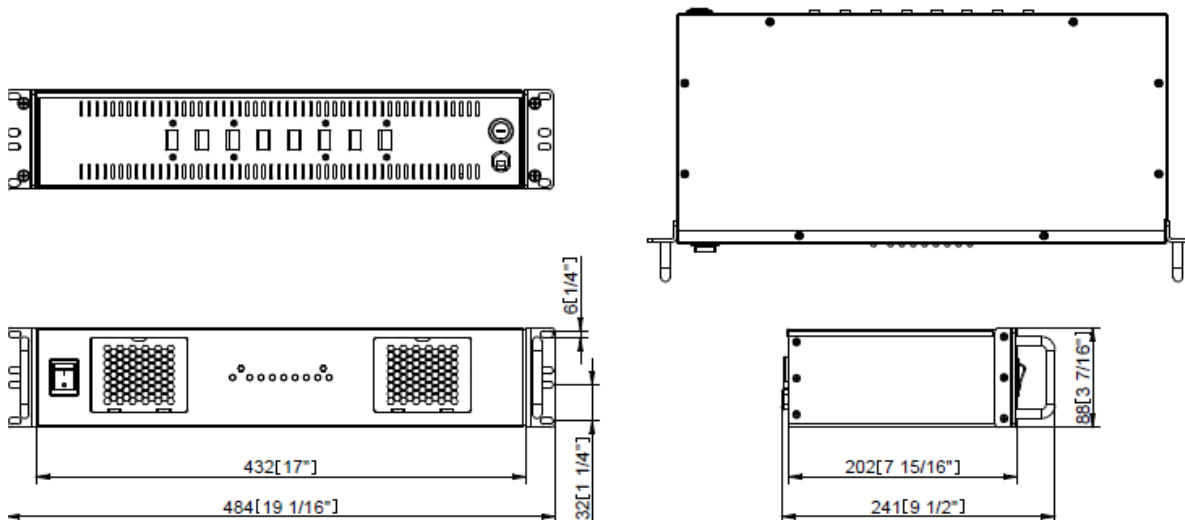
ELECTRICAL	Input Voltage	100 - 277V AC 50 / 60 Hz
	Typical Power Consumption	1200W + / - 10 %
	Output Voltage	48V DC
	Outputs	8
	Max. Load	150W each output
	Power Supply	Integrated
PHYSICAL	Length x Width x Height	484 (432) x 88 x 311 (272) mm (19.05 (17) x 3.46 x 12.24 (10.71) in.)
	Weight	5.4 kg
	Housing	Rack Standard - 2U or Wall Mounted Brackets
	Finish Options	Standard Colour - Graphite Black (RAL 9011), Silver (RAL9006)
		Cost Option - Custom RAL
	Cables / Connections	8 x Terminal Block (DC power Out)
		1 x Main Power Cord
	Mounting Method	Designed to Rack Box Installation
	Protection Factor	IP2X
Cooling System	Fan Cooled	
Operating Ambient Temperature	-20 °C / +40 °C (-4 °F / +104 °F)	
Operating Temperature	+75 °C @ Ambient +35 °C (167 °F @ Ambient 95 °F)	
CERTIFICATION	Listings	ETL / cETL pending, CE, RoHS

AMBIANE POWER DIMENSIONS

Ambiane Power XP - G (CE / US)

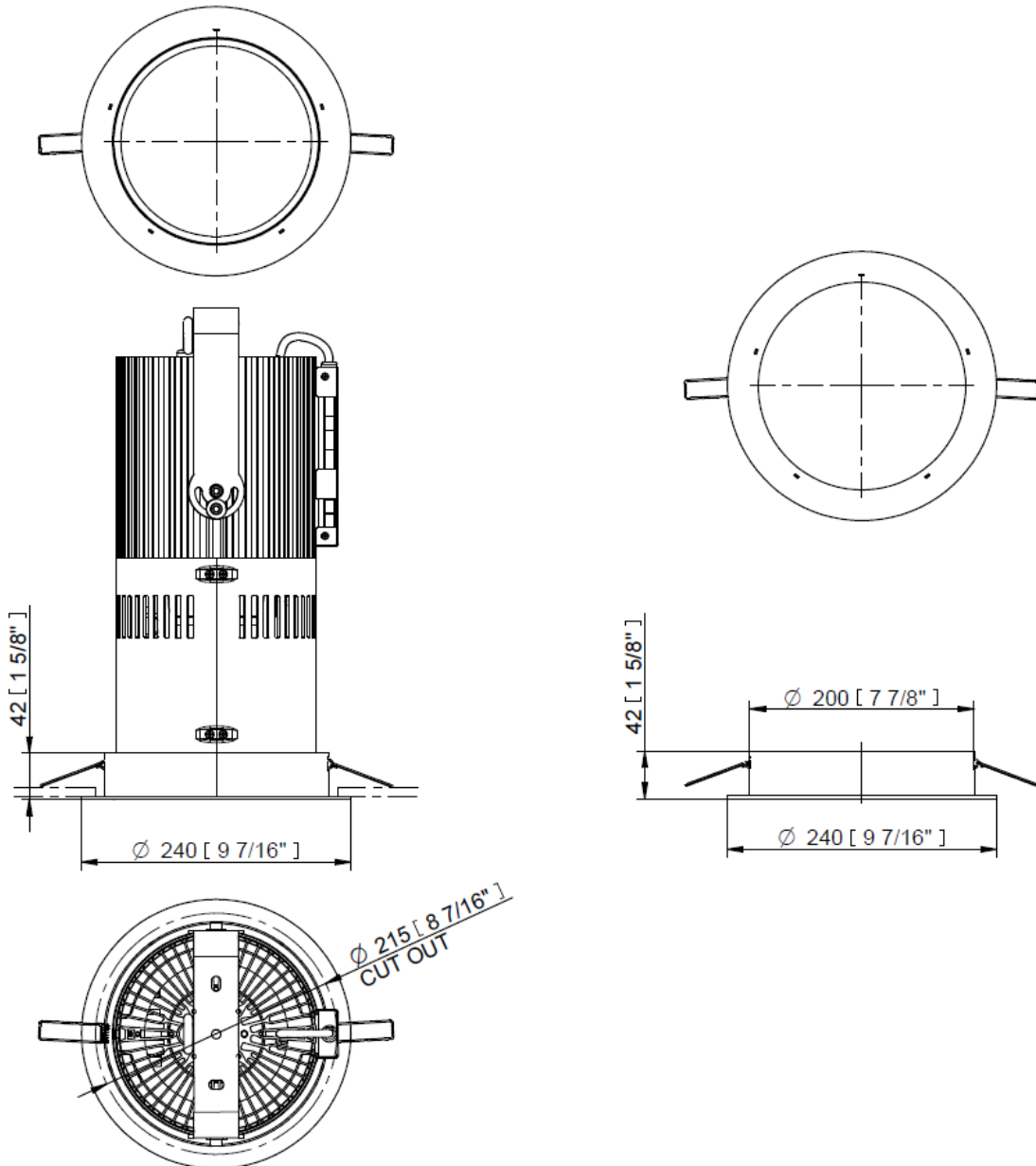


Ambiane Power Rack (CE / US)



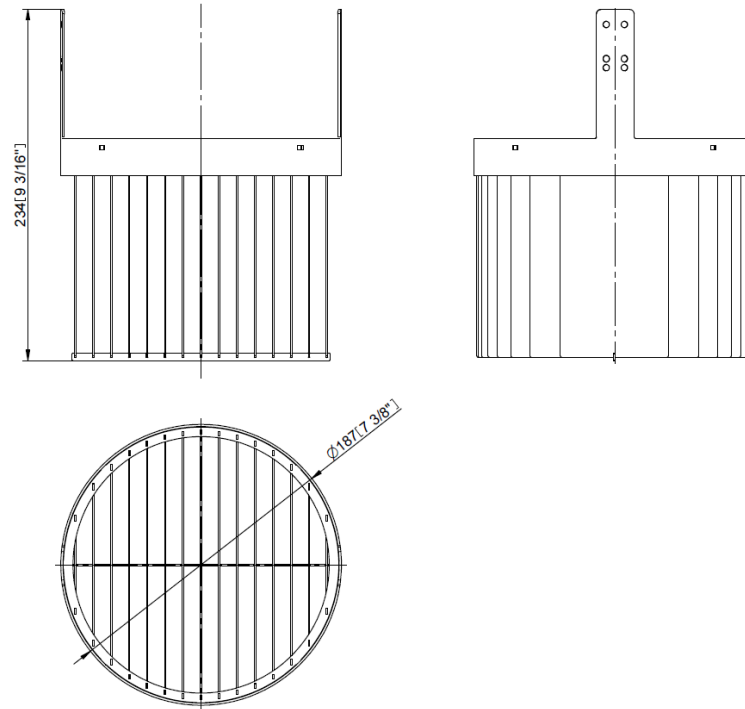
ACCESORIES FOR AMBIANE XP56 RECESSED

Trim for Ambiane XP56 Recessed

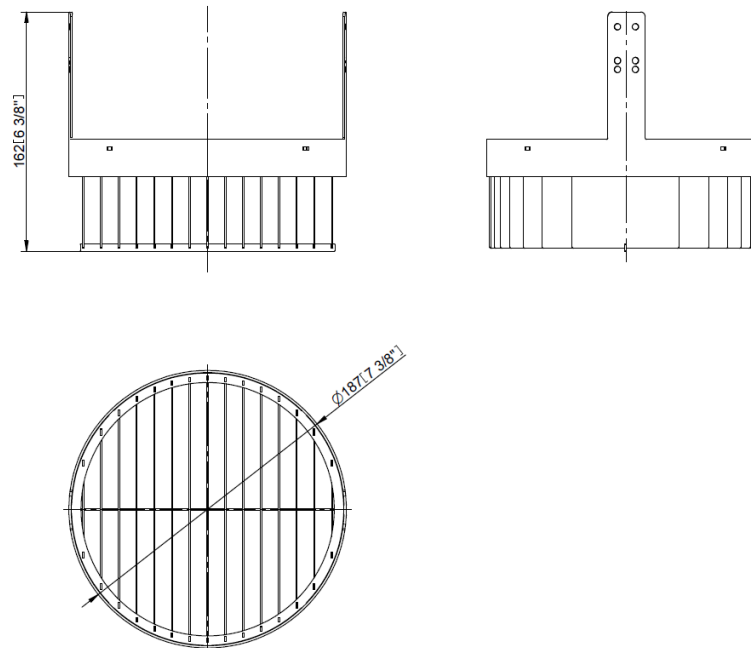


ACCESORIES FOR AMBIANE XP56 RECESSED

Louver 5° for Ambiane XP56 Recessed

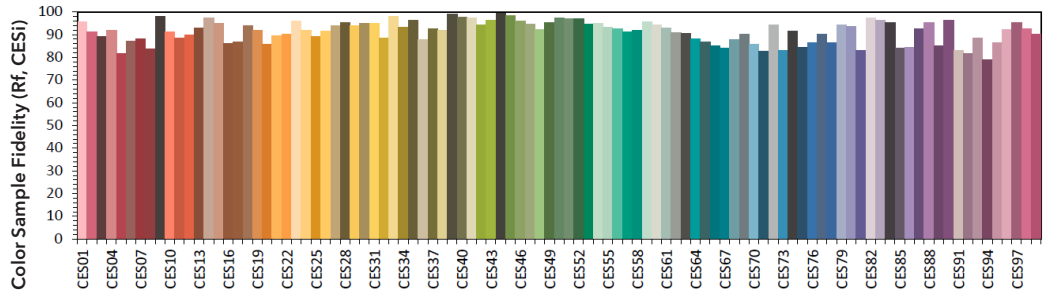
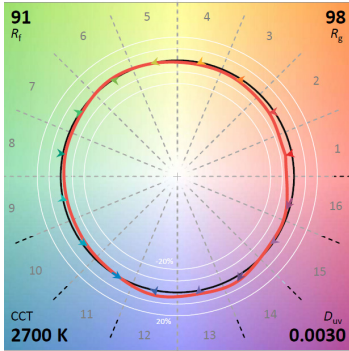


Louver 10° for Ambiane XP56 Recessed

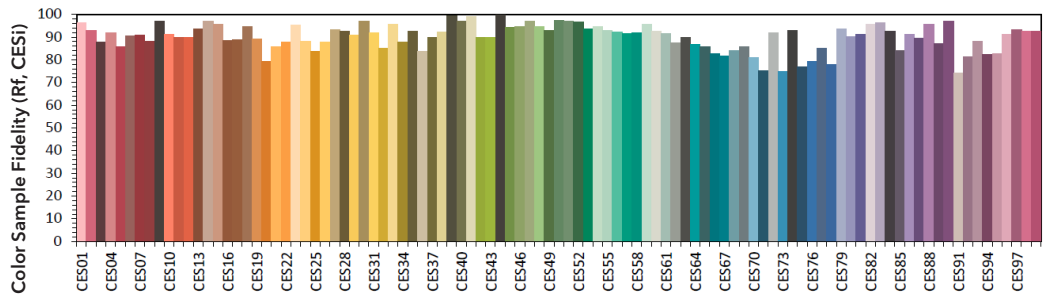
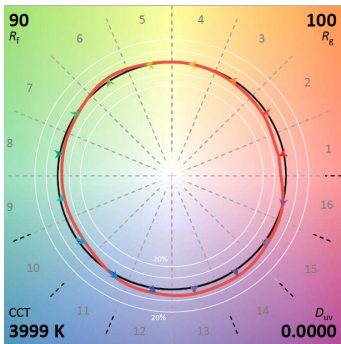


TM30 FOR AMBIANE XP56 RECESSED

RGBWW VERSION



RGBNW VERSION



NOTE: This is a recommended method for displaying ANSI/IES TM-30-18 information.