

ArcSource™ Outdoor 4MC Pixel

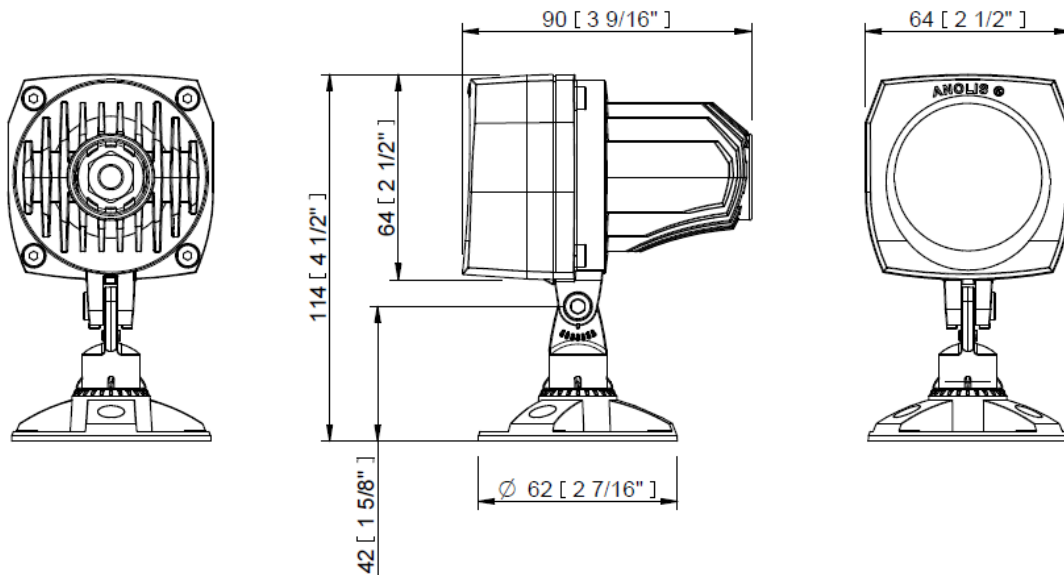
Client: _____ Specifier: _____

Project: _____ Type: _____ QTY: _____



Key features:

- Wide range of mounting options
- Lumen Output / Light Source: Max. 195 lm / 1 x 15 W Multichip LED
- Projected Lumen Maintenance: 50.000 hrs (L70)
- Power Consumption: 5.5 W
- Control System: ArcPixel Power, ArcPower Unit Pixel



Specification:

ELECTRICAL	Input Voltage	48 V
	Typical Power Consumption	5.5 W / 48 V
OPTICAL	Light Source	1 x 15 W Multichip LED
	Colour Variants	RGBCW (W - 6500 K), RGBA, PW (W - 3000 K)
	Beam Angle	7°, 13°, 20°, 30°, 40°, 60°, 90°, 7°x30°, 30°x7°, 7°x60°, 60°x7°, 35°x70°, 70°x35°, 10°x90°, 90°x10°
	Lumen Output Delivered	195 lm (RGBW 7° W - 6500 K, all LEDs on full, 700 mA)
	Projected Lumen Maintenance	50.000 hrs (L70 @ 25 °C / 77 °F)
CONTROL	Control System	ArcPixel Power, ArcPower Unit Pixel
	Power Supply	ArcPixel Power, ArcPower Unit Pixel
PHYSICAL	Width x Height x Depth	64 x 114 (145) x 90 mm (2.52 x 4.49 (5.71) x 3.54 in.)
	Weight	0.62 kg / 1.37 lbs
	Finish Options	Standard Colour - Graphite Black (RAL 9011), Silver (RAL 9006)
		Cost Option - Custom RAL
	Housing	High Pressure Die-Cast Aluminium Body
		Tempered Glass
	Cables / Connections	Li9Y11Y, 2 x AWG16 + 1 x AWG20
	Mounting Method	Mounting Plate, Land Spike (optional)
	Adjustability	+/- 60°, with Adaptor Stand +80°/ -90°
	Protection Factor	IP65 / Suitable For Wet Locations
	Cooling System	Convection
Operating Ambient Temperature	-20 °C / +45 °C (-4 °F / +113 °F)	
Operating Temperature	+75 °C @ Ambient +50 °C (+167 °F @ Ambient +122 °F)	
CERTIFICATION	Listings	ETL / cETL, CE, RoHS

ACCESSORIES		Adaptor Stand (100 mm)
		Land Spike Single (100mm)
		Land Spike Twin (100mm)
		Land Spike Single (500mm)
		Land Spike Twin (500mm)
		Land Spike Triple (500mm)
		Top Hat
		Half Top Hat
		Twin Wall Cover
		Floor Stand
		Pipe Clamp
		Connector Chogori 3-pin (Male)
		Connector Chogori T Piece
		Connector Waterproof Cap (Male)
		Cable Chogori (Female) - RJ45
	Cable Chogori (Female) - Chogori (Male)	



Half Top Hat



Floor Stand



Land Spike Triple

Photometric overview:

Beam Angle	Lumen Output (lm)		
	RGBCW (6500 K)	RGBA	PW (3000 K)
7°	202	178	202
13°	202	178	202
20°	199	176	199
30°	199	175	199
40°	198	175	198
60°	197	174	197
90°	193	170	193
7°x30°, 30°x7°	194	172	194
7°x60°, 60°x7°	191	169	191
35°x70°, 70°x35°	193	171	193
10°x90°, 90°x10°	180	159	180