

# ArcPower Outdoor 48 <sup>tm</sup>



Client: \_\_\_\_\_

Project: \_\_\_\_\_

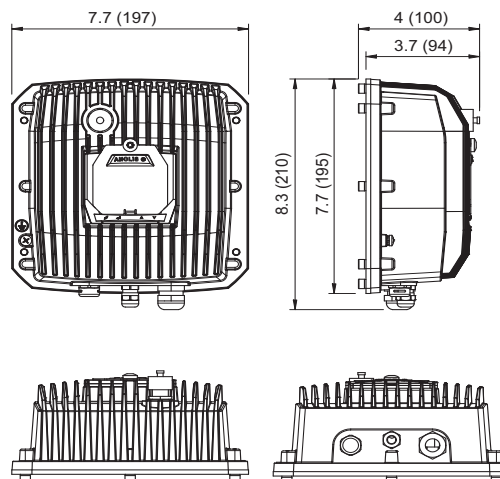
Specifier: \_\_\_\_\_

Type: \_\_\_\_\_ Qty: \_\_\_\_\_

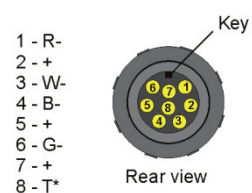
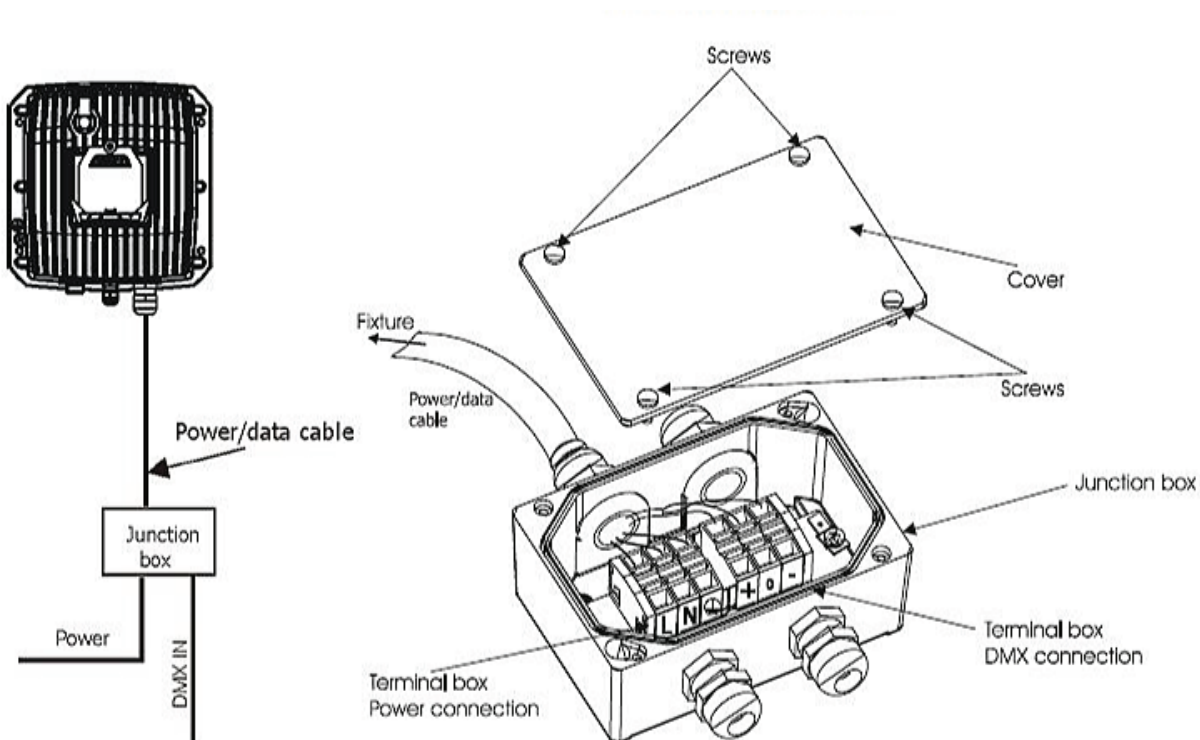


**FEATURES:**

- Input Voltage: 100-240V AC 50-60Hz
- Power consumption: 70W (24) 130 (48)
- Max Load:
  - 12 x 10w LED's RGBW (MC)
  - 48 LED's (Max 12 LED's / Colour)
- Control: DMX 512, USITT
- Housing: Cast Aluminium
- Max Cable Length: 20m @ 700mA - 80m @ 350mA
- Fixing Method: 4 x Fixing holes
- IP Rating: IP67
- Operating Ambient Temp: +40°C (+104°F )
- Certification: ETL / cETL, CE, RoHS
- 5 Year Warranty



## Connection Scheme:



\* Temperature sensor

## Product Specification:

Electrical	Input Voltage		100-240V AC 50/60 Hz
	Power Consumption		130W +/-10%
	Max Output Current		700mA Per Colour
Control	Interface Protocol		USITT, DMX512, RDM, WIRELESS CRMX (OPTIONAL)
	Operation Modes		DMX, Stand-Alone
	Display		Two Row LCD and Control Buttons
Physical	Width x Height x Depth	Inches	7.76 x 10.1 x 4.6
		mm	197 x 256 x 116
	Weight	lbs	8.82
		kg	4
	Number of Led Output Zones		1
	Maximum Load Per Zone	RGBW (MC)	12 x 10W MC RGBW)
		700mA	48 LED's - Max 6 / 12 Per Colour
		350mA	48 LED's - Max 6 / 12 Per Colour
	Lighting Effects		RGBW Colour Mixing Virtual Colour Wheel Adjustable Strobe Sequences White Colour Balance Adjusting 16-Bit Dimming 0-100%
	DMX Channels		2, 3, 4, 9
	DMX Modes		4
	Built in Programs		
	Editable Programs		3 (Upton 40 Steps Each)
	Max Cable Length		80m Max (350mA) 20m Max (700mA)
	LED Output Connection		Li9YCHY - 3xAWG16+1 (2xAWG24) + Junction Box
	DMX Connection		N/A
	RS232 Connection		N/A
Fixing Method		4 Fixing Holes	
IP Rating		IP67 (IP66 Junction Box)	
IK Rating		N/A	
Cooling System		Convection	
Operating Temperature Range		+60°C @ Ambient +40°C (+140°F @ Ambient +104°F)	
Certification	Listings		ETL / cETL, CE, RoHS

Subject to change without notice - please contact Anolis for clarification

Accessories	Description
	Junction Box (included)
	Gasket Cable Grommet M20 (Included)
	Connector Chogori CGRBDU-08BMMA-SL8001 (Male) IP68 (included)

