

ArcPower Outdoor 192 tm



Client: _____

Project: _____

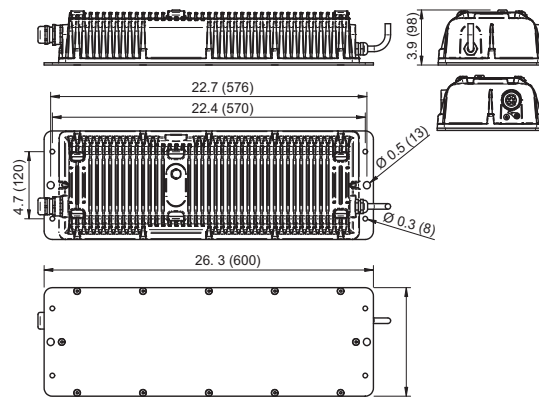
Specifier: _____

Type: _____ Qty: _____



FEATURES:

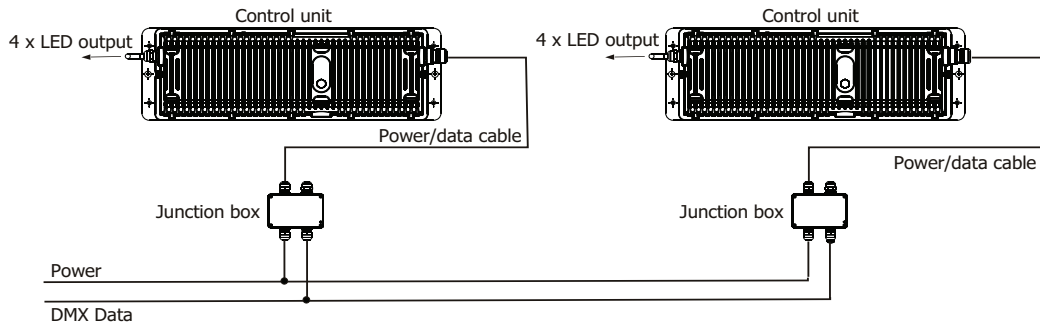
- Input Voltage: 90-277V AC 50-60Hz
- Power consumption: 600W
- Max Load:
 - 36 LED's in RGB - Each Zone
 - 12 x MC-E in RGBW - Each Zone
- Number of Zones: 4
- Control: DMX 512, USITT
- Housing: Cast Aluminium
- Max Cable Length: 20m @ 700mA - 80m @ 350mA
- Fixing Method: 4 x Fixing holes
- IP Rating: IP67
- Operating Ambient Temp: +50°C (+122°F)
- Certification: ETL / cETL, CE, RoHS
- 5 Year Warranty



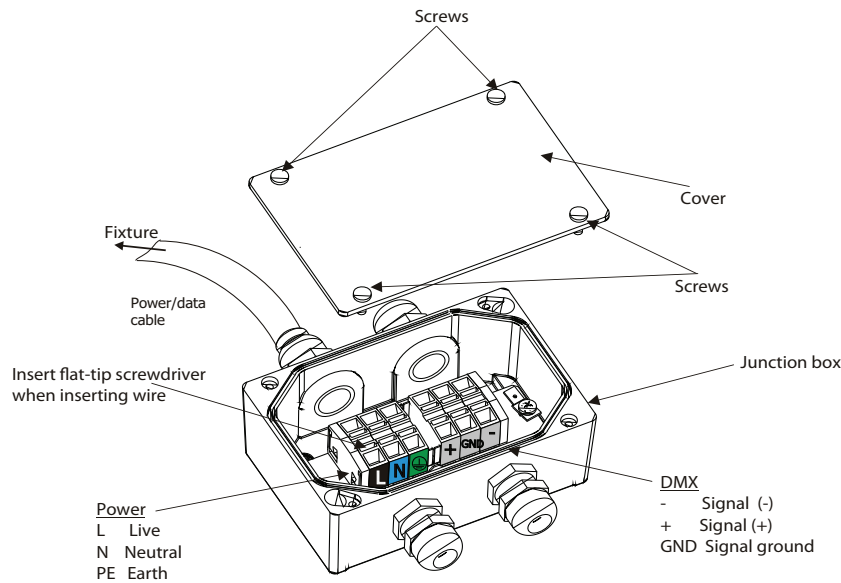
How To Order							
	GROUP	VARIANT	SIZE	COLOUR	OPTIC	FINISH	OPTIONS
ARC	1	2	3	4	5	6	7
	POW	OUT	192	RGBW - Red, Green, Blue, White		S - Silver B - Black W - White C - Custom	CUS - Custom MTP - Multiple WSS - Wireless CCL - Custom Cable Length
Example	ARCPower Outdoor Xtreme Silver						
ARC	POW	OUT	192	RGBW		S	

Connection Scheme:

Connection



Junction box



Product Specification:

Electrical	Input Voltage		90-277V AC 50/60 Hz
	Power Consumption		600W
	Max Output Current		700mA Per Colour
Control	Interface Protocol		USITT, DMX512, RDM
	Operation Modes		DMX, Stand-Alone
	Display		N/A
Physical	Width x Height x Depth	Inches	23.63 x 3.78 x 7.64
		mm	600 x 96 x 194
	Weight	lbs	19.85
		kg	9
	Number of Led Output Zones		4
	Maximum Load Per Zone	RGBW	48 x 1W (3W) 12 LED's Per Colour
		RGBW (MC)	12 x MC-E
	Total Load	RGBW	188 x 1W (3W) 12 LED's Per Colour
		RGBW (MC)	48 x MC-E
	DMX Channels		12, 16, 19, 4, 5
	DMX Modes		N/A
	Built in Programs		N/A
	Editable Programs		2 (Upto 68 Steps Each)
	Max Cable Length		80m Max (350mA) 20m Max (700mA)
	LED Output Connection		Li9YCHY - 3xAWG16+1 (2xAWG24) 0.6m (1.97ft) + Junction Box
	DMX Connection		N/A
	RS232 Connection		N/A
Fixing Method		4 Fixing Holes	
IP Rating		IP67 (IP66 Junction Box)	
IK Rating		N/A	
Cooling System		Convection	
Operating Ambient Temperature		-20°C / +40°C (-4°F / +104°C)	
Certification	Listings		ETL / cETL, CE, RoHS

Subject to change without notice - please contact Anolis for clarification

Accessories	Description
	Junction Box (included)
	Gasket Cable Grommet M20 (Included)
	Connector Chogori CGRBDU-08BMMA-SL8001 (Male) IP68 (included)

