

ArcSource™ Outdoor 48MC Integral

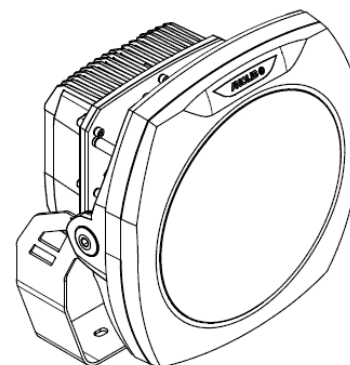
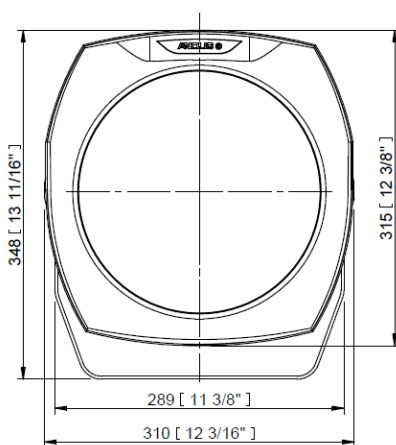
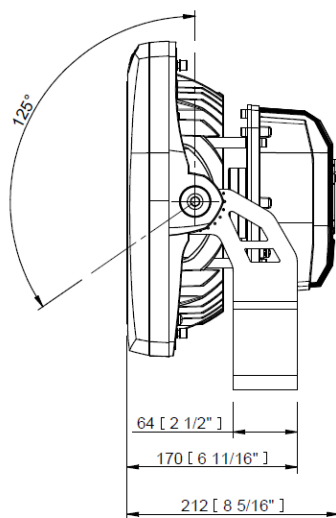
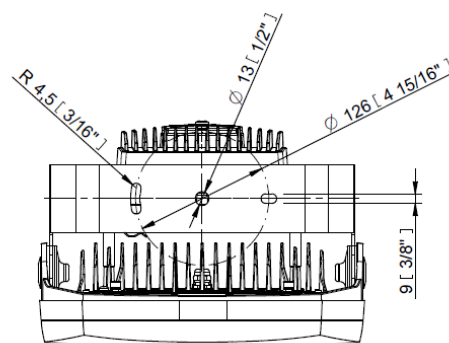
Client: _____ Specifier: _____

Project: _____ Type: _____ QTY: _____



Key features:

- Self switchable power supply working in range of 100 - 277 V AC 50/60 Hz
- Wide range of optical options with high quality and efficiency optical filters
- High quality multichip LED with precise binning
- LCD display for easy setting and controlling
- Wireless DMX option for hard accessible areas
- Durable housing with IK06 and ingress factor of IP67



Specification:

ELECTRICAL	Input Voltage	100 - 240 V AC 50/60 Hz (CE) 120 - 277 V AC 50/60 Hz (US)
	Typical Power Consumption	42 W +/- 10 %
OPTICAL	Light Source	4 x 15W Multichip LEDs
	Colour Variants	RGBW (W - 6500 K), RGBA, PW (W - 3000 K)
	Beam Angle	7°, 13°, 20°, 30°, 40°, 60°, 90°, 7° x 30°, 30° x 7°, 7° x 60°, 60° x 7°, 35° x 70°, 70° x 35°, 10° x 90°, 90° x 10°
	Lumen Output Delivered	1.383 lm (RGBW 7° W - 6500 K, all LEDs on full, 700 mA)
	Projected Lumen Maintenance	60.000 hrs (L70 @ 25 °C / 77 °F)
CONTROL	Display	Two Row LCD Display With Control Buttons
	Wireless DMX (Option)	Lumen Radio CRMX Technology
	Interface Protocol	USITT DMX512, RDM
	Control System	Third Party DMX Controllers
	Operating Modes	DMX, Stand-alone
	Programs / Functions / Features	Editable Program: 3 (up to 40 steps each)
	Settings / Addressing	Via Two Row LCD Display with Control Buttons or RDM communicator
	Power Supply	Integrated
PHYSICAL	Width x Height x Depth	179 x 239 x 194 mm (7.0 x 9.4 x 7.6 in.)
	Weight	5.4 kg / 11.9 lbs
	Housing	High Pressure Die-Cast Aluminium Body
		Tempered Glass
	Finish Options	Standard Colour - Graphite Black (RAL 9011), Silver (RAL 9006)
		Cost Option - Custom RAL
	Cables / Connections	Li9Y11Y 3 x AWG16 + 1 (2 x AWG24), Junction Box
	Mounting Method	Yoke, Floor Stand (optional)
	Adjustability	+35° / -90°
	Protection Factor	IP67 (IP66 Junction Box) / Suitable For Wet Locations
	IK Rating	IK06
	Cooling System	Convection
	Operating Ambient Temperature	-20 °C / +45 °C (-4 °F / +113 °F)
	Operating Temperature	+80 °C @ Ambient +45 °C (+176 °F @ Ambient +113 °F)
Total Heat Dissipation	140 BTU/h (calculated)	
CERTIFICATION	Listings	ETL / cETL, CE, RoHS

SPECIFICATION SHEET

ACCESSORIES		Optical Demo Set for ArcSource Outdoor 16 MC Integral
		Top Hat ArcSource Outdoor 16 MC
		Half Top Hat ArcSource Outdoor 16 MC
		Floor Stand ArcSource Outdoor 16 MC
		Land Spike for ASO 16/24MC
		Tenon Adaptor for ASO 16/24MC
		Pole Clamp for ASO 16/24MC



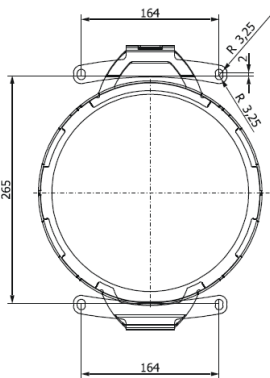
Top Hat



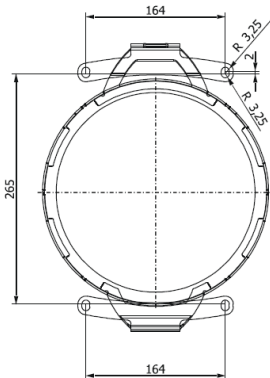
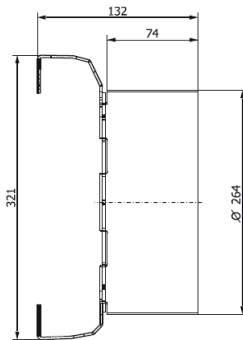
Half Top Hat



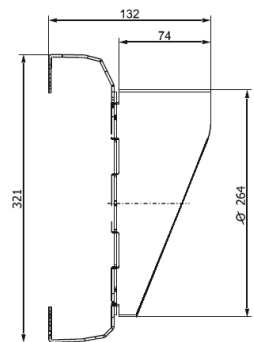
Floor Stand



Top Hat



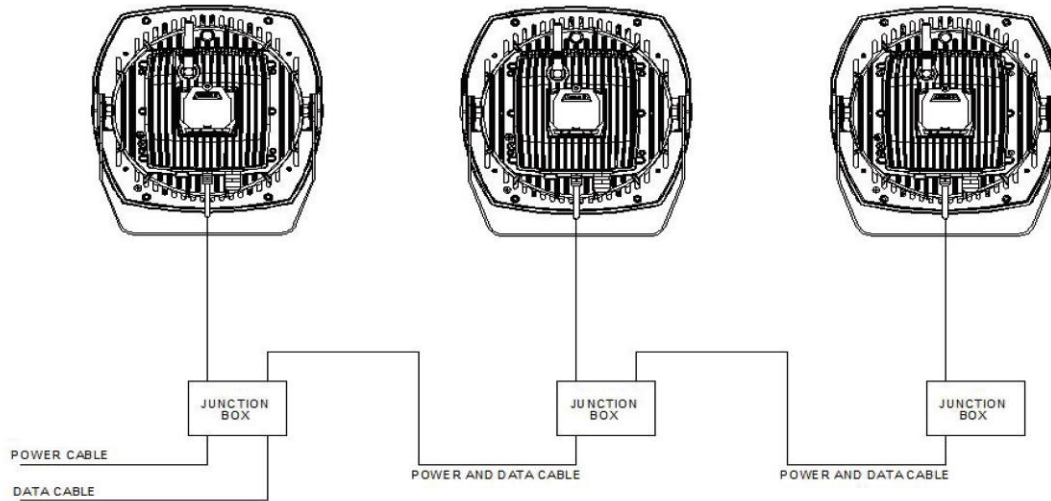
Half Top Hat



Photometric Data:

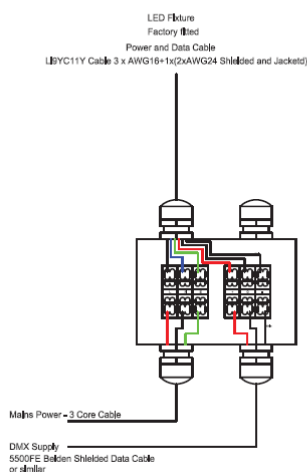
Beam Angle	Lumen Output (lm)
	RGBW (All LEDs full)
7°	4 026
13°	4 026
20°	3 976
30°	3 963
40°	3 953
60°	3 943
90°	3 840
7° x 30°, 30° x 7°	3 870
7° x 60°, 60° x 7°	3 813
35° x 70°, 70° x 35°	3 856
10° x 90°, 90° x 10°	3 593

Connection Scheme:



Core	Connection	Core	Connection
Black	Live	Red	Data +
Blue	Neutral	White	Data -
Yellow / Green	Earth	Shielding	Data GND

Single Product



Multiple Products

