

# Blackline X8

## Ultra-Compact Passive Two-Way System



### Features

- Ultra-compact passive two-way system
- Symmetrical multi-angle plywood enclosure
- User-rotatable 90° x 50° horn
- Vertical and horizontal orientation
- Screw-free, cloth-backed perforated steel grille
- Integral ergonomic handle
- Pole-mount bung maintains clean lines
- 8Ω nominal impedance
- Twin NL4 connectors
- Flexible mounting options via M8 inserts

### Applications

- Portable sound reinforcement
- Live music clubs
- Bars and restaurants
- Nightclubs
- Unobtrusive stage monitoring
- Corporate AV events and conferences
- Weddings and parties
- Main PA infill
- Secondary stages at festivals
- HoW, leisure centres and retail outlets



The X8 is an ultra-compact passive two-way system with an 8" (200mm)/2" (50mm) voice coil LF driver and a 1" (25mm) HF driver mounted on a 90° x 50° horn which can be easily rotated for horizontal or vertical orientation, depending on venue requirements. Its very small size gives no indication of its high output capability.

As a stand-alone loudspeaker, it has a multitude of professional applications — from distributed sound reinforcement, HoW and AV events to frontfill/infill and use as a micro stage monitor. Complemented by a BlacklineX subwoofer, it is the ideal, simple-to-use system for portable applications and installations which call for an unobtrusive system that can deliver pristine sound over short and medium throw distances.

The X8 is constructed from plywood and fitted with a screw-free steel grille, M8 inserts for wall brackets and eyebolt suspension, plus a pole-mount socket with a removable bung that maintains clean lines in install applications. Finished in black textured paint as standard, the X8 can be supplied in white or any RAL colour to order.

A full-range passive two-way system, the X8 may be used without a controller. However, the EQ and limiter functions of a controller such as the Martin Audio DX0.5 will maximise its capabilities. When used in conjunction with an X115, X118 or X210 subwoofer, crossover and EQ functions can be performed by the DX0.5.

# Blackline X8

## Ultra-Compact Passive Two-Way System



### Technical Specifications

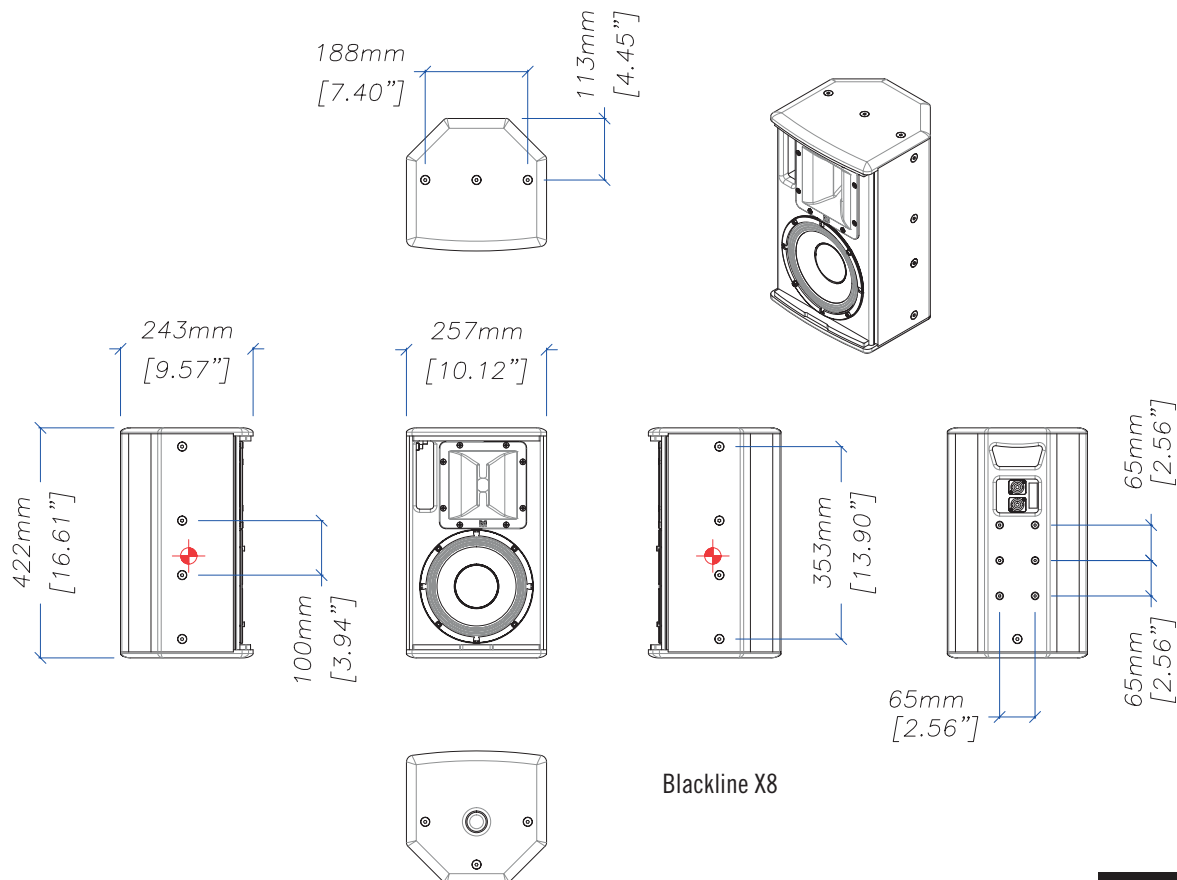
|                         |   |
|-------------------------|---|
| TYPE                    | Ultra-compact, passive two-way system   |
| FREQUENCY RESPONSE (5)  | 70Hz-20kHz $\pm$ 3dB<br>-10dB @ 60Hz  |
| DRIVERS                 | LF: 8" (200mm)/2" (50mm) voice coil, ferrite motor system<br>HF: 1" (25mm) exit/1" (25mm) voice coil, polyester dome compression driver |
| RATED POWER (2)         | 200W AES, 800W peak   |
| RECOMMENDED AMPLIFIER   | VIA2502/2004  |
| SENSITIVITY (8)         | 92dB  |
| MAXIMUM SPL (9)         | 115dB continuous, 121dB peak  |
| NOMINAL IMPEDANCE       | 8 ohms  |
| DISPERSION (-6dB)       | 90° H x 50° V (user-rotatable)  |
| CROSSOVER               | 2.9kHz passive  |
| ENCLOSURE               | Multi-angle birch/poplar ply  |
| FINISH                  | Black textured paint  |
| PROTECTIVE GRILLE       | Black perforated steel with scrim cloth backing   |
| CONNECTORS              | 2 x NL4 type  |
| PIN CONNECTIONS (INPUT) | 1+/-  |
| PIN CONNECTIONS (LINK)  | 1+/- to 1+/-  |
| FITTINGS                | 13 x M8, 6 x M6 inserts, pole-mount socket, 1 x pocket handle   |
| DIMENSIONS              | (W) 257mm x (H) 422mm x (D) 243mm<br>(W) 10.1ins x (H) 16.6ins x (D) 9.6ins   |
| WEIGHT                  | 8kg (17.6lbs)   |
| ACCESSORIES             | Wall bracket, eyebolts  |

#### Notes

- (1) Measured on-axis in half (2pi) space at 2 metres, then referred to 1 metre.
- (2) AES Standard ANSI S4.26-1984.
- (3) Measured in half (2pi) space at 2 metres with 1 watt input, using band limited pink noise, then referred to 1 metre.
- (4) Measured in half (2pi) space at 2 metres using band limited pink noise, then referred to 1 metre.
- (5) Measured on-axis in open (4pi) space at 2 metres, then referred to 1 metre.
- (6) Measured in open (4pi) space at 2 metres with 1 watt input, using band limited pink noise, then referred to 1 metre.
- (7) Measured in open (4pi) space at 2 metres using band limited pink noise, then referred to 1 metre.
- (8) Measured in open (4pi) space at 2 metres with 2.83v input, using band limited pink noise, then referred to 1 metre.
- (9) Calculated at 1 metre.
- (10) Measured in half (2pi) space at 2 metres with 2.83V input, using band limited pink noise, then referred to 1 metre.

#### Trade Descriptions Act

Due to Martin Audio's policy of continuing improvement, we reserve the right to alter these specifications without prior notice. Martin Audio is committed to refining state of the art sound reinforcement, combining in-depth product and field applications research with advanced manufacturing techniques. Every Martin Audio product is built to the highest manufacturing standards and rigorously tested to ensure that it meets the performance criteria specified in the design.



Blackline X8

Martin Audio Ltd  
Century Point, Halifax Road, High Wycombe  
Buckinghamshire HP12 3SL, England

Telephone: +44 (0) 1494 535 312  
Facsimile: +44 (0) 1494 438 669  
Email: [info@martin-audio.com](mailto:info@martin-audio.com)

All information is Copyright © 2017 Martin Audio Ltd.



[www.martin-audio.com](http://www.martin-audio.com)