

## Ambiane™ - RGBW, PW, TW, TD

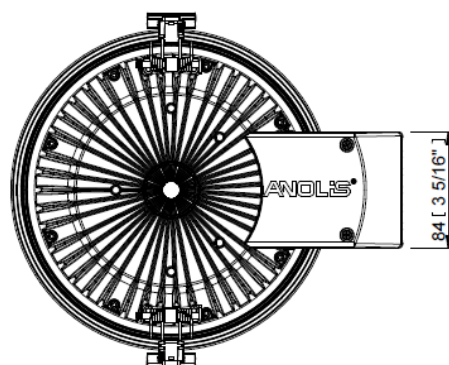
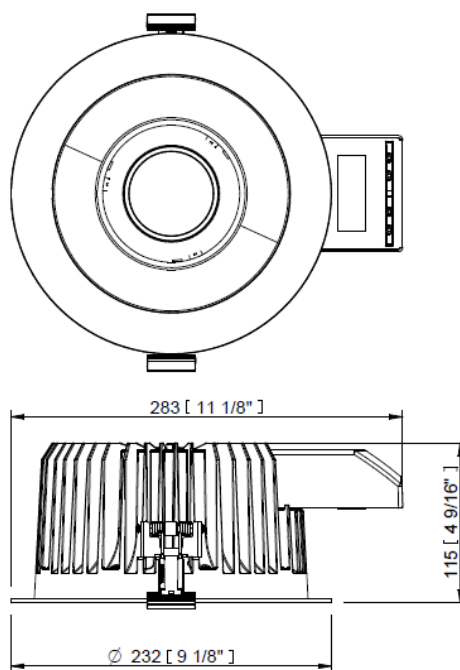
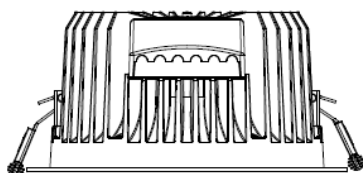
Client: \_\_\_\_\_ Specifier: \_\_\_\_\_

Project: \_\_\_\_\_ Type: \_\_\_\_\_ QTY: \_\_\_\_\_



### Key features:

- Input Voltage: 24 V DC
- Power Consumption: 40 W +/- 10%
- Light Source: 24 x High power Single Chip LED's
- Delivered Lumen: 1.566 lm (RGBW @67°)
- Projected LED life: 50.000 Hrs (L70@25 °C / 77 °)
- Control: USITT DMX512, RDM, DALI, 0-10 V
- IP Rating: IP2X (IP54 with additional diffuser)
- 5 Years Warranty



## Specification:

ELECTRICAL	Input Voltage	24 V DC
	Typical Power Consumption	40 W + / - 10 %
OPTICAL	Light Source	24 x High Power Single Chip LEDs
	Colour Variants	RGBW (W - 6500 K), PW (6500 K), TD (3200 K), TW (2700 - 6500 K)
	Beam Angle	67°, 80°
	Lumen Output Delivered	1.566 lm (RGBW at 67°, with anti-glare ring, 6500 K)
		1.452 lm (RGBW at 80°, with anti-glare ring, 6500 K)
Projected Lumen Maintenance	50.000 hrs (L70 @ 25 °C / 77 °F)	
CONTROL	Interface Protocol	USITT DMX512, RDM, DALI, 0-10 V
	Control System	ArcControl Range or any Third Party Controller
	DMX Modes	3
	DMX Channels	4, 6, 10
	Settings / Addressing	DIP Switch
	Power Supply	ArcPower for Ambiane or Third Party Constant Voltage 24 V / 75 W Power Supply
PHYSICAL	Width x Height x Depth	ø232 x 115 x 283 mm (ø9.1 x 4.53 x 11.1 in.)
	Weight	1.8 kg / 4 lbs
	Housing	High Pressure Die-Cast Aluminium Body, Plastic Cover
	Finish Options	Standard Color - White RAL 9016, Black RAL 9005
		Cost Option - Custom RAL
	Cables / Connections	Terminal Block (Power In, DMX In/Out, DALI In/Out, Back-up Power)
	Mounting Method	Recessed, Via Two Spring Clips. Cut-Out Diameter: 212 mm / 8.34 in.
	Protection Factor	IP2X (Option: IP54 with attached front clear or frosted glass)
	Cooling System	Convection
	Operating Ambient Temperature	-20 °C / +40 °C (-4 °F / +104 °F)
	Operating Temperature	+75 °C @ Ambient +35 °C (167 °F @ Ambient 95 °F)
Total Heat Dissipation	136 BTU/h (Calculated)	
CERTIFICATION	Listings	ETL / cETL, CE, RoHS

ACCESSORIES		Adapter Ring for ø235-255 mm + Spring Clip Set
		Anti-Glare Ring

## Product variant

### RGBW

Perfect colour mixing based on RGBW LEDs, with 6500 K colour temperature of white. Controlable via 8 or 16 bit channel modes with 18-bit interpolation in both cases.

### PW (Pure White)

Single white colour option, 6500 K of white as a default, other variant available after discussion with factory.

### TD (Tungsten Dim)

Specifically designed LEDs setup to achieve exactly same behaviour as tungsten bulbs with typical Amber shift while dimming.

### TW (Tunable White)

Combination of warm and cool LEDs for fading thru white spectrum.

## Photometric overview:

Beam Angle	Lumen Output (lm)			
	RGBW (6500 K)	PW (6500 K)	TD (3200 K)	TW (6500 K)
67°	1 566	3 160	1 839	2 463
80°	1 452	2 760	1 670	2 343