

# ARCPAR™ 150 OUTDOOR

Designed with an all-in-one approach the ArcPar 150 Outdoor makes installation smoother by allowing last minute tweaks and modifications on site. The versatility of this unique product shines through with the introduction of its optical system which has a zoom ratio of 15,5:1 while an approximate range of 3.8°- 60° makes ArcPar 150 Outdoor ideal for flood or spot lighting. The ArcPar 150 Outdoor has an IP 65 rating and is ,Suitable for Wet Locations.' As always, Robe's signature quality colour mixing is present, easily selectable through a virtual colour wheel, preset with over 60 colour options. ArcPar 150 Outdoor has Robe's innovative lens coating technology with benefits including bright and clear lenses, no scratches or marks, higher light output and longer intervals between cleaning.



## KEY FEATURES

IP65 rated outdoor colour changing high power LED fixture with remote 3.8° - 60° zoom.

### Lumen output & Light Source

Max. 1,676 lm | 7 x 40W Multichip LED

### Projected lumen maintenance

20,000 hrs (L70@25°C)

### Power Consumption

Typ. 220W

### Physical (max WxHxD)

228 x 234 x 412 mm - 8 kg | 8.97 x 9.21 x 16.22 in - 17.64 lbs | Aluminium body, Tempered glass

## COLOURS



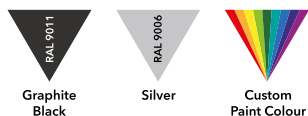
## CONTROL & PROTOCOLS



## STANDARD & SPECIFICATION



## FINISH OPTION



## OPTIC OPTIONS

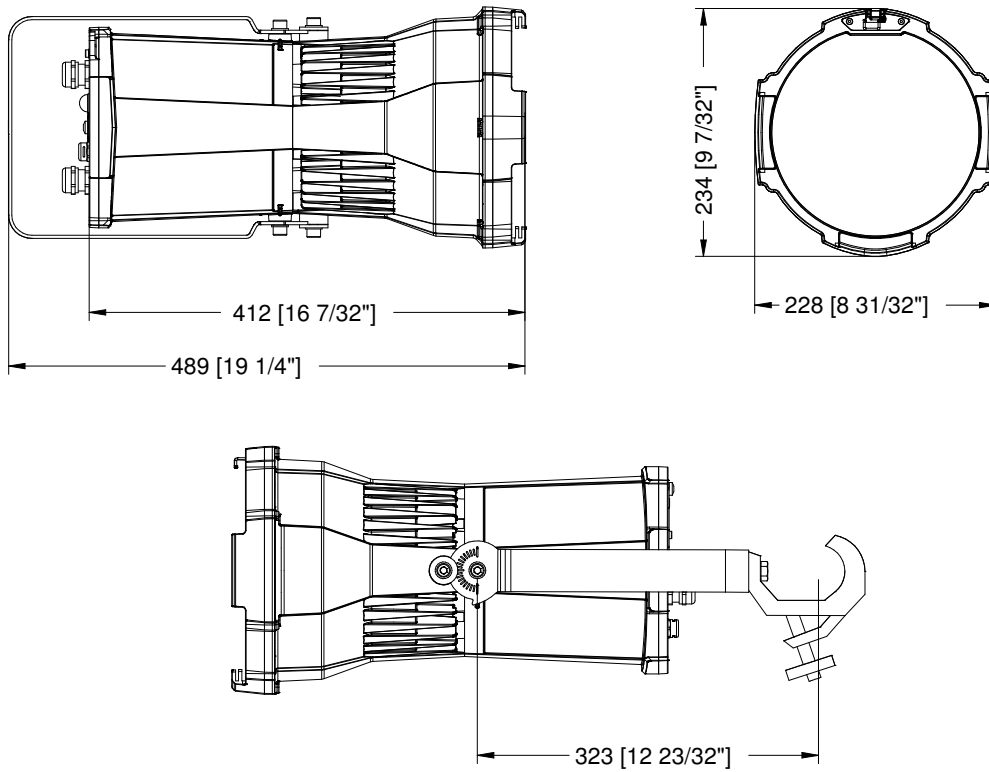
### ZOOM



## ARCPAR 150 OUTDOOR SPECIFICATION

<b>ELECTRICAL</b>	Input Voltage	100 - 240 V AC 50/60 Hz (CE)
		100 - 277 V AC 50/60 Hz (US)
	Typical Power Consumption	220 W +/- 10 %
<b>OPTICAL</b>	Light Source	7 x 40W Multichip LEDs
	Colour Variants	RGBW (W - 6500 K), RGBA
	Beam Angle	Zoom Range 3.8° - 60°
	Lumen Output Delivered	1.676 lm (RGBW @ 40°)
	Projected Lumen Maintenance	20.000 hrs (L70 @ 77 °F / 25 °C)
<b>CONTROL</b>	Display	2-Row LCD Display With Control Buttons
	Wireless DMX (Option)	Lumen Radio CRMX Technology
	Interface Protocol	USITT DMX512, RDM
	Control System	Third Party DMX Controllers
	Operating Modes	DMX, Stand-alone
	DMX Modes	3
	DMX Channels	17, 11, 5
	Programs / Functions / Features	Virtual Color Wheel with 66 Preset Swatches
		Tungsten Dim Effect at Whites of 2700 K and 3000 K (Red Shift)
		18-bit Driving of LEDs (Super Smooth Color Mixing And Dimming)
Settings / Addressing	Via LCD Display with Control Buttons or RDM	
Power Supply	Integrated, Auto-Ranging	
<b>PHYSICAL</b>	Width x Height x Depth	228 x 234 x 412 mm (8.97 x 9.21 x 16.22 in.)
	Weight	8 kg   17.64 lbs
	Housing	High Pressure Die-Cast Aluminium Body
		Tempered Glass
	Finish Options	Standard Colour - Graphite Black (RAL 9011), Silver (RAL 9006)
		Cost Option - Custom RAL
	Cables / Connections	Power Cable 1.2 m Bare End, DMX Cable IN / OUT 1 m With IP67 XLR - 5 pin
	Mounting Method	Yoke
	Adjustability	360°
	Protection Factor	IP65 / Suitable For Wet Locations
	IK Rating	IK06
	Cooling System	Convection
	Operating Ambient Temperature	-5 °C / +45 °C (23 °F / +113 °F)
Operating Temperature	+75 °C @ Ambient +45 °C (+176 °F @ Ambient +113 °F)	
<b>CERTIFICATION</b>	Listings	ETL / cETL, CE, RoHS
<b>ACCESSORIES</b>		Top Hat ArcPar 150 Outdoor
		Half Top Hat ArcPar 150 Outdoor
		Barn Door
		Doughty Trigger Clamp
		Safety wire 35 kg

**DIMENSIONS**

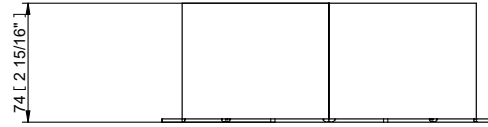
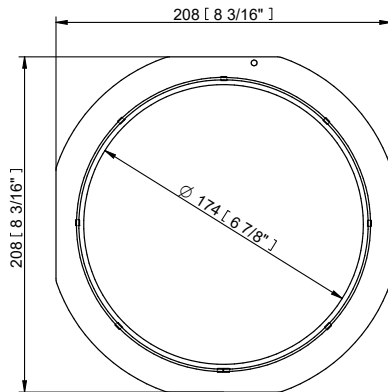


**PHOTOMETRIC OVERVIEW**

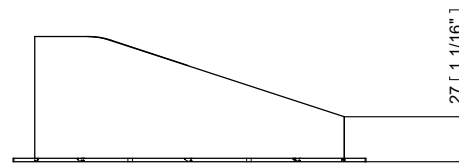
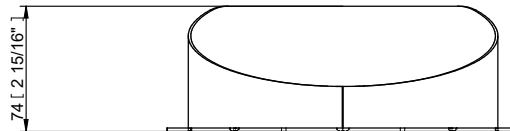
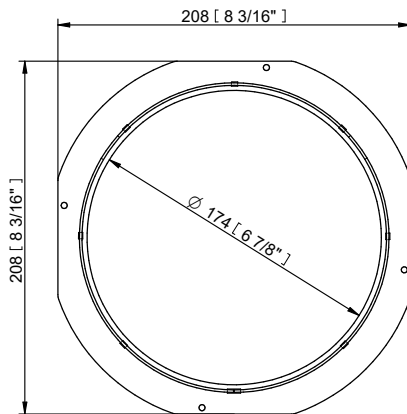
Beam Angle	Lumen Output (lm)	
	RGBW	RGBA
<b>3.8°</b>	824	644
<b>19.2°</b>	1 009	789
<b>42°</b>	1 676	1 310

**ACCESSORIES**

Top Hat



Half Top Hat



Barn Door

