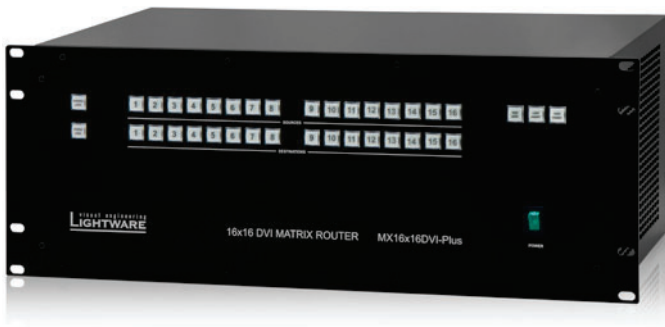


MX9x9DVI-Plus, MX12x12DVI-Plus and MX16x16DVI-Plus

DVI matrix switchers for conference room and avionics



Part No: 9131 0005 (9x9), 9131 0006 (12x12), 9131 0007 (16x16)



Highlight features

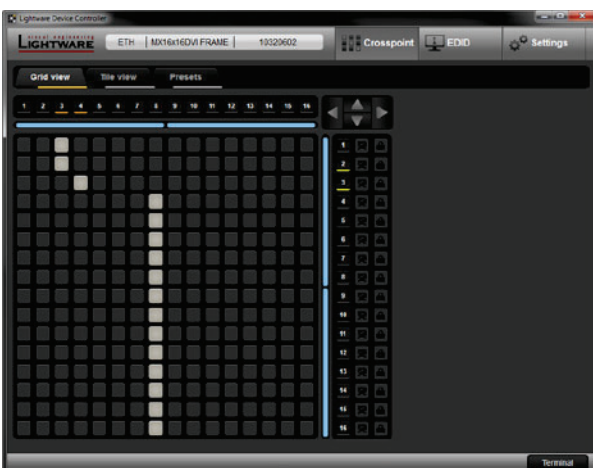
- Routing up to 16x16 DVI 1.0 signals
- 1920 x 1200 or 2048 x 1080 maximal resolution
- Advanced EDID Management
- RS-232 or RS-422 and Ethernet control
- Built-in power supply

MX9x9DVI-Plus, MX12x12DVI-Plus and MX16x16DVI-Plus matrix switchers range from 9 input - 9 output, 12 input - 12 output to 16 input - 16 output. The 7 inch depth, 4 RU high body and low noise fan design makes it ideal for many space and noise sensitive applications.

The frames incorporate Lightware's Advanced EDID Management function. The user can emulate any EDID on the switcher's inputs independently, read out and store any attached monitor's EDID in 100 internal memory locations, upload and download EDID files using Remote Control software. The crosspoint switcher can be controlled through a 9-pole D-sub connector via RS-232 or RS-422 protocol, and IP based Ethernet connection including web access through a Neutrik EtherCON connector which ensures a robust connection at all times.

MX9x9DVI-Plus, MX12x12DVI-Plus and MX16x16DVI-Plus incorporate +12 dB input cable equalization that allows using up to 20 meter DVI cables even on highest resolutions. Thanks to the switchers' non-blocking architecture, any input can be switched to one or more outputs without switching delay or frame latency. All outputs supply 500 mA continuous current on DVI +5 V pin to power long distance fiber optical transmitters like Lightware DVI-OPT-TX110.

Lightware Device Controller

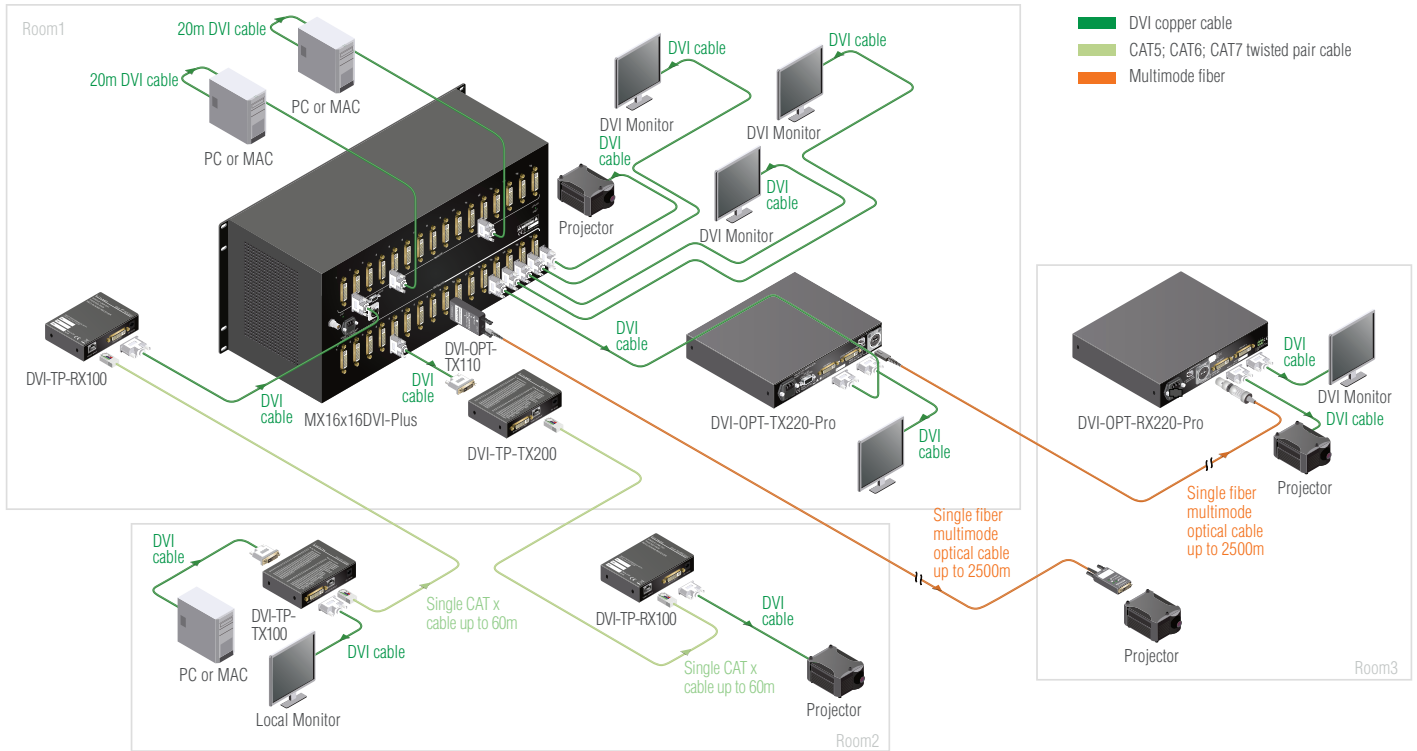


RS-232; IP or WEB based remote control and monitoring

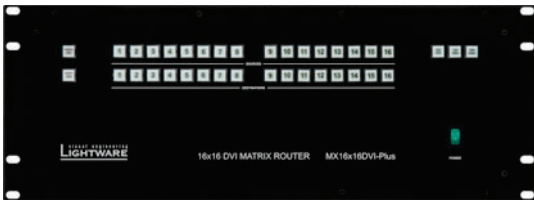
- Crosspoint switching
- Advanced EDID Management
- Setup and configuration
- Status readout

MX9x9DVI-Plus, MX12x12DVI-Plus and MX16x16DVI-Plus

Typical application



Available models



MX16x16DVI-Plus front view



MX16x16DVI-Plus rear view



side view



MX12x12DVI-Plus front view



MX12x12DVI-Plus rear view



side view



MX9x9DVI-Plus front view



MX9x9DVI-Plus rear view



side view

MX9x9DVI-Plus, MX12x12DVI-Plus and MX16x16DVI-Plus

Applications

- Multiroom video control
- Professional AV systems, conference rooms
- Avionics
- Military

Features

- No switching latency – zero frame delay
- Routing up to 16x16 DVI 1.0 signals
- Routing HDMI 1.3 signals (with embedded audio) without HDCP
- 1920 x 1200 or 2048 x 1080 maximal resolution
- Gold plated PCB boards and connectors
- Built-in website
- Front panel buttons control
- Advanced EDID Management
- RS-232 or RS-422 and Ethernet control
- Vista Spyder and Barco Encore compatibility
- Full crosspoint configuration (save and reload) as preset (32 presets)
- Built-in power supply
- Available I/O sizes: 9x9, 12x12, 16x16

Specifications

Routing:	9x9, 12x12 or 16x16 non-blocking - any input to any output(s)
Data rate:	2.25 Gbit/s per color
Resolution:	640x480 to 1920x1200 or 2048x1080
Input cable equalization:	+12 dB
Pre-emphasis on outputs:	+6 dB
EDID memory:	50 factory preset and 50 user programmable
EDID emulation:	256-byte extended EDID v1.3
HDCP compliant:	No
Power:	100 to 240 V AC internal power supply
Power consumption (9x9):	27 W (typ), 36 W (max)*
Power consumption (12x12):	31 W (typ), 44 W (max)*
Power consumption (16x16):	36 W (typ), 53 W (max)*
Heat dissipation (9x9):	92 BTU/h (typ), 123 BTU/h (max)*
Heat dissipation (12x12):	106 BTU/h (typ), 150 BTU/h (max)*
Heat dissipation (16x16):	123 BTU/h (typ), 181 BTU/h (max)*
Dimensions:	440 (482) W × 160 D × 176,5 H mm
Weight:	5 kg / product
Compliance:	CE
Warranty:	3 years

*Maximum values are calculated when DVI +5V supplied for external devices but these values include only the consumption of the matrix itself.

Connectors

Inputs/outputs:	29-pole DVI-I digital only
Ethernet:	Neutrik EtherCON
Serial port:	9-pole standard D-sub female
Power:	IEC C14 standard connector

Control

Front panel buttons:	Yes
RS-232 / RS-422:	9600 Baud Rx; Tx
LAN:	Ethernet 10Base-T or 100Base-TX (Auto-Sensing)
WEB:	Built-in website