



# MLA Mini

## Multi-Cellular Loudspeaker Array

### Features

- Numerically optimised, ultra-compact loudspeaker system
- Cellular array format with amplification, multi-cellular DSP and digital networking housed in companion sub-bass
- Dedicated Class D amplifiers for individual powering of individual cells
- Industry leading DISPLAY2.1™ intelligent software interacts with DSP for highly accurate array optimisation
- Vertical coverage can be fine-tuned electronically to cope with changing environmental conditions and last minute changes in rigging height
- “Hard-avoid” areas, such as on-stage, ceilings and site perimeter, can be programmed in
- Switched mode power supplies with PFC (Power Factor Correction) and global mains voltage operation
- Two-way design delivers LF/HF peak SPL's of 130/129dB @ 1m from a single, ultra-compact enclosure
- Fast, integral flying system for suspension of up to 16 MLA Mini or 12 MLA Mini + 3 MSX enclosures
- True 100° (-6dB) horizontal constant directivity. Consistent and usable out to 125° (-10dB)
- 76Hz-18kHz ± 3dB frequency response

### Benefits

- Automatic, intelligent configuration and numerical optimisation eliminates trial-and-error tuning sessions
- Desired house-curve and precise audience coverage achieved ‘straight out of the box’
- Artistic changes to balance at the mix position (or elsewhere) translate directly and accurately throughout the audience
- “Greener”, more efficient audio power via PFC (Power Factor Correction)
- Programmable leakage parameter to reduce sound spill

### Applications

- Small-to-medium scale theatres
- Small-to-medium live music venues
- Corporate AV events
- Fixed installations in concert halls, ballrooms and HoW
- Side-fill for MLA Compact systems



Martin Audio's revolutionary award-winning Multi-cellular Loudspeaker Array [MLA] technology is reinventing the way loudspeaker arrays are configured and controlled — combining unsurpassed audience coverage and consistency with superior fidelity.

The ultra-compact MLA Mini brings this revolutionary technology to an exceptionally wide range of portable sound and showcase events, as well as fixed installations ranging from theatres and ballrooms to Houses of Worship and concert halls.

With multiple awards for innovation, MLA Mini's small footprint and light weight makes it the system of choice for small-medium scale venues seeking the ultimate in fidelity, consistency and control.

In its simplest terms a 16-enclosure MLA Mini array has 32 individual acoustic elements [cells], each with its own amplifier and DSP, which can be optimised by software to deliver the sound across the audience to meet the sonic goals required for any space.

MLA technology is the only technology on the market to allow multiple sonic goals to be prioritised and optimised accordingly. For example, not only can MLA Mini generate an even sound field over the audience, it can contain it as well — significantly reducing the influence of the room.

‘Hard avoid’ areas - such as behind and below the array, ceilings, balcony edges and beyond the venue perimeter - can also be programmed in. Vertical coverage can even be fine-tuned electronically in-situ to cope with changing environmental conditions and last-minute changes in rigging height, without having to re-rig.

With incredibly easy-to-use and highly accurate predictive software [DISPLAY] doing all the grunt work with the system, the engineer retains full artistic control and can enjoy mixing the show in the full knowledge that the sound created at the mix position will be heard everywhere throughout the audience.

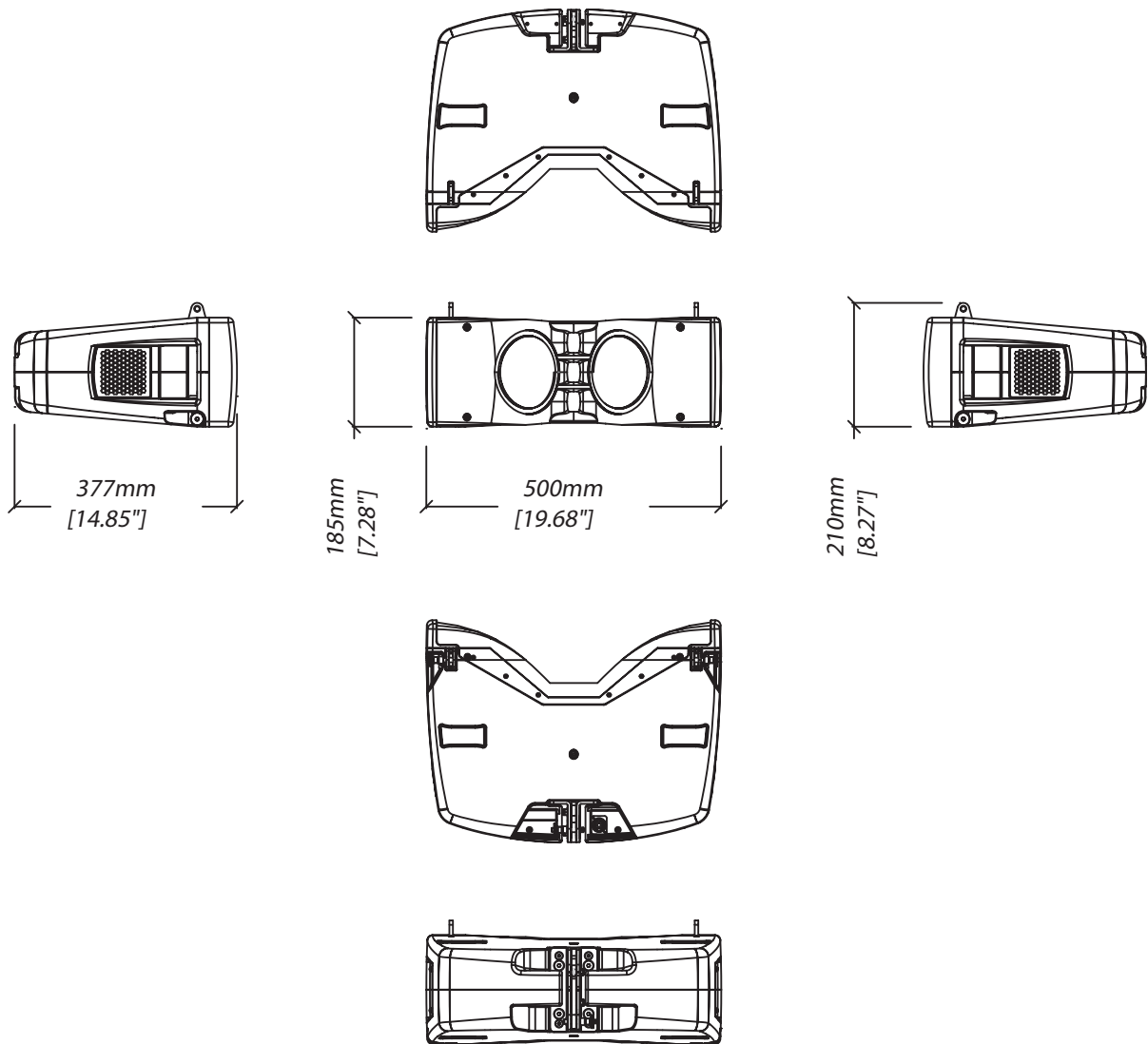
Amplification, networking and DSP are all housed in MLA Mini's companion MSX power-plant, which includes 9 channels of Class D amplification – 1 channel for itself, and 8 channels to provide multi-cellular drive of up to 4 bi-amped MLA Mini enclosures. Crossover, delay and EQ functions are implemented by a combination of IIR and FIR filters.

Such is the confidence that MLA Mini can bring, that significantly less time is spent setting up the system and less time is spent walking the room to verify results.

# MLA Mini

## Multi-Cellular Loudspeaker Array

### Technical Drawing





# MLA Mini

## Multi-Cellular Loudspeaker Array

### Technical Specifications

<b>Acoustical</b>	
TYPE	Two-way cellular-drive, array element, driven from MSX mini-subwoofer power plant
FREQUENCY RESPONSE (1)	76Hz-18kHz $\pm$ 3dB -10dB @ 63Hz
MAXIMUM SPL @ 1m	
1 x MLA Mini	LF: 127dB continuous, 130dB peak (3) HF: 122dB continuous, 132dB peak (3)
4 x MLA Mini	LF: 139dB continuous, 142dB peak (3) HF: 132dB continuous, 142dB peak (3)
<b>Drivers</b>	
LF	2 x 6.5" (165mm) contoured-diaphragm/2" (50mm) edge-wound CCAW voice coil, neodymium magnet drivers, reflex loaded
HF	3 x 1.4" (35mm) aluminium dome/1.4" (35mm) voice coil, neodymium magnet compression drivers on constant-directivity waveguide
<b>Rated Power (2)</b>	
LF	300W AES, 1200W peak
HF	90W AES, 360W peak
<b>Dispersion</b>	
(-6dB)	100° horizontal
(-10dB)	125° horizontal 10° vertical
<b>Crossover Frequency</b>	
1.2kHz	Vanishing Point™ FIR filter
<b>Audio input</b>	
CONNECTORS	NL4 input, connects to MSX power plant LF 1+, 1-, HF 2+, 2-
<b>General</b>	
ENCLOSURE	Vertical trapezoid with 5° wall angle. Skeletal steel braced, ribbed ABS structural foam construction
FINISH	Textured black paint
PROTECTIVE GRILLE	Black HEX perforated steel, Declon™ backed
FITTINGS	Integral flyware for suspension of up to 16 MLA Mini Ergonomic handles on each side
IP RATING	IP 25
DIMENSIONS	
	(W) 500mm x (H) 210mm x (D) 377mm (including flyware) (W) 19.7in x (H) 8.3in x (D) 14.8in (including flyware)
WEIGHT	13.8kg (30.4lbs)

### Accessories

- Flight case for 4 x MLA Mini
- Universal tilt bracket
- Variable height pole mount
- MSX transit cover with integral plywood lid
- Wheelboard with 4 x 100mm castors
- Flying frame, including clinometer
- Transition frame for suspending MLA Mini beneath

#### Notes

- (1) Measured on-axis on ground plane (2 $\pi$  space) at 2 metres, then referred to 1 metre.
- (2) AES Standard ANSI S4.26-1984.
- (3) Calculated in half-space at 1 metre.

#### Trade Descriptions Act

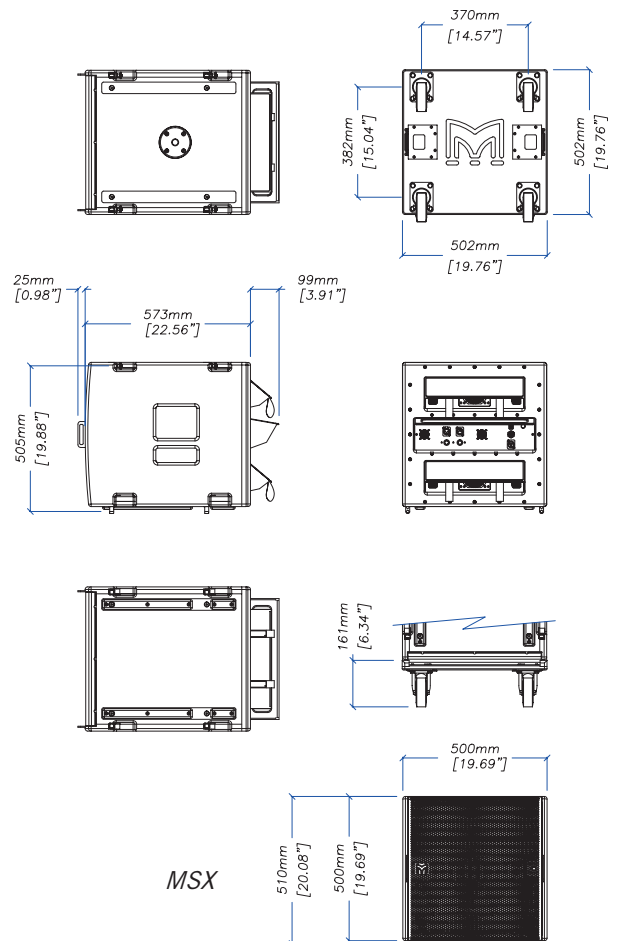
Due to Martin Audio's policy of continuing improvement, we reserve the right to alter these specifications without prior notice. Martin Audio is committed to refining state of the art sound reinforcement, combining in-depth product and field applications research with advanced manufacturing techniques. Every Martin Audio product is built to the highest manufacturing standards and rigorously tested to ensure that it meets the performance criteria specified in the design.

# MSX

## 15" Subwoofer for MLA Mini

### Technical Specifications

<b>Acoustical</b>	
TYPE	15" reflex loaded subwoofer
FREQUENCY RESPONSE (1)	50Hz-150Hz ± 3dB -10dB @ 42Hz
MAXIMUM SPL @ 1m	133dB continuous, 136dB peak (3)
<b>Driver</b>	
	1 x 15" (380mm)/4" (100mm) voice coil, ultra-long excursion, high efficiency ferrite magnet
<b>Rated Power (2)</b>	
	800W AES, 3200W peak
<b>MSX Dispersion</b>	
	Omnidirectional. Cardioid arrays possible, using multiple MSX enclosures
<b>Audio input</b>	
CONNECTORS	Female XLR input, male XLR link output
ANALOGUE INPUT IMPEDANCE	20kΩ balanced to ground
MAXIMUM ANALOGUE INPUT LEVEL	6.15Vrms (+18dBu), over voltage protected
AES/EBU IMPEDANCE	110 Ohms balanced, receive and transmit termination
<b>Internal Processing</b>	
	Multi-channel DSP, programmable via network
	10 PEQ/shelving filters per channel
	Up to 48dB/Oct HPF and LPF
	FIR filtering on MLA Mini channels
	Up to 1 second of delay
	Limiters with amplifier output current monitoring
<b>Network</b>	
CONNECTORS	IP68 rated 8-way, quick-release type
PROTOCOL	U-NET
<b>Amplifier Module</b>	
TYPE	9 channel switch-mode, class D
PEAK OUTPUT POWER	7000W total 1400W MSX (or alternative 4 Ohm subwoofer) 700W MLA Mini LF x 4 700W MLA Mini HF x 4
CONNECTORS	2 x NL8 outputs to MLA Mini x 4
AVERAGE EFFICIENCY	85%
COOLING	2 x temperature controlled internal fans 1 x low-speed internal blower 2 x temperature controlled external fans
MAXIMUM AMBIENT TEMPERATURE	45°C (113°F) for full output
<b>Power Supply</b>	
TYPE	Switch mode, fixed frequency with PFC
AC INPUT OPERATING RANGE	100 – 240V ~ AC, 50 – 60Hz
POWER FACTOR	> 0.95
NOMINAL POWER CONSUMPTION	900W
MAINS CONNECTOR	Neutrik® Powercon True1
<b>General</b>	
ENCLOSURE	Extensively braced multi-laminate birch-ply
FINISH	Textured black PU coating
PROTECTIVE GRILLE	Black HEX perforated steel
<b>FITTINGS</b>	
	Two skids on base, with mating channels on top
	M20 top-mounted thread plate for MLA Mini pole
	Integral flyware for suspension of up to 4 MSX
	Large bar handle on each side
	Two front-mounted latch plates for wheelboard
	Optional weather protection cowl
IP RATING	Indoor (without weather protection cowl) IP 25 (with weather protection cowl)
<b>DIMENSIONS</b>	
	(W) 500mm x (H) 510mm x (D) 575mm (675mm with vent flap open) (W) 19.7in x (H) 20.1in x (D) 22.6in (26.6in)
<b>WEIGHT</b>	
	58kg (128lbs) 65kg (143lbs) inc wheelboard
<b>ACCESSORIES</b>	
	Flying pin
	Ground stack bars
	Ground stack base plate
	Mains distribution system
	Tour-grade network interconnects
	Merlin Controller/U-NET Hub



#### Notes

- (1) Measured on-axis on ground plane (2p space) at 2 metres, then referred to 1 metre.
- (2) AES Standard ANSI S4.26-1984.
- (3) Measured in half-space at 1 metre with a tone burst signal.