



WPM

Optimised Line Array – Two-way, passive line array element

Features

- Ultra-compact line array
- Scalable resolution for advanced array control
- External, dedicated, multi-channel Class D amplification
- Industry-leading DISPLAY software interacts with DSP for highly-accurate results
- Fast, integral 3-point flying systems for up to 16 enclosures
- Side and rear handles for ease of handling and setting splay angles
- 100° horizontal constant directivity pattern control

Applications

- Touring sound reinforcement for small and medium-size venues
- Fixed installations in concert halls, theatres, ballrooms and HoW
- Sports stadium and arena installations
- Corporate AV events



The scalable resolution of WPM offers greatly improved coverage consistency and control compared to a standard line array and provides a flexible pathway to advanced array optimisation.

WPM is incredibly versatile. Its very small footprint and light weight make it the system of choice for smaller venues which require superb fidelity, coverage consistency and control from an ultra-compact line array. With a peak SPL of 130dB peak, it is also very powerful — a 12-box array will throw beyond 35 metres (115ft) and produce live music at high levels in up to 3000-seat venues. It embodies the very latest acoustic technology in an ultra-compact enclosure and is the ideal system for small-to-medium scale theatres and live music venues, AV events and installations in concert halls, ballrooms and HoW.

A passive 2-way system with an impedance of 16 ohms, it can be driven in blocks of 1, 2, 3 or 4 resolution configuration. With a complement of 2 x 6.5" (165mm) LF drivers and a vertical column of 3 x 1.4" (35mm) aluminium dome HF drivers, the acoustic design of WPM is uniquely innovative. The LF drivers

are located in the side walls of the HF horn — an arrangement which would introduce acoustic cavities which would degrade the horizontal dispersion if conventional cone drivers were used. WPM's drivers adopt an elegant solution by having solid moulded diaphragms which match the contours of the horn walls and maintain the continuity of the horn profile. Each LF driver also features a demodulation ring in the neodymium motor system to minimize distortion and maximise mid-band output.

In the triple-driver HF section, each individual HF wavefront is precisely coupled to the horn throat via a short waveguide for faultless 100° horizontal constant directivity coverage.

WPM

Optimised Line Array – Two-way, passive line array element

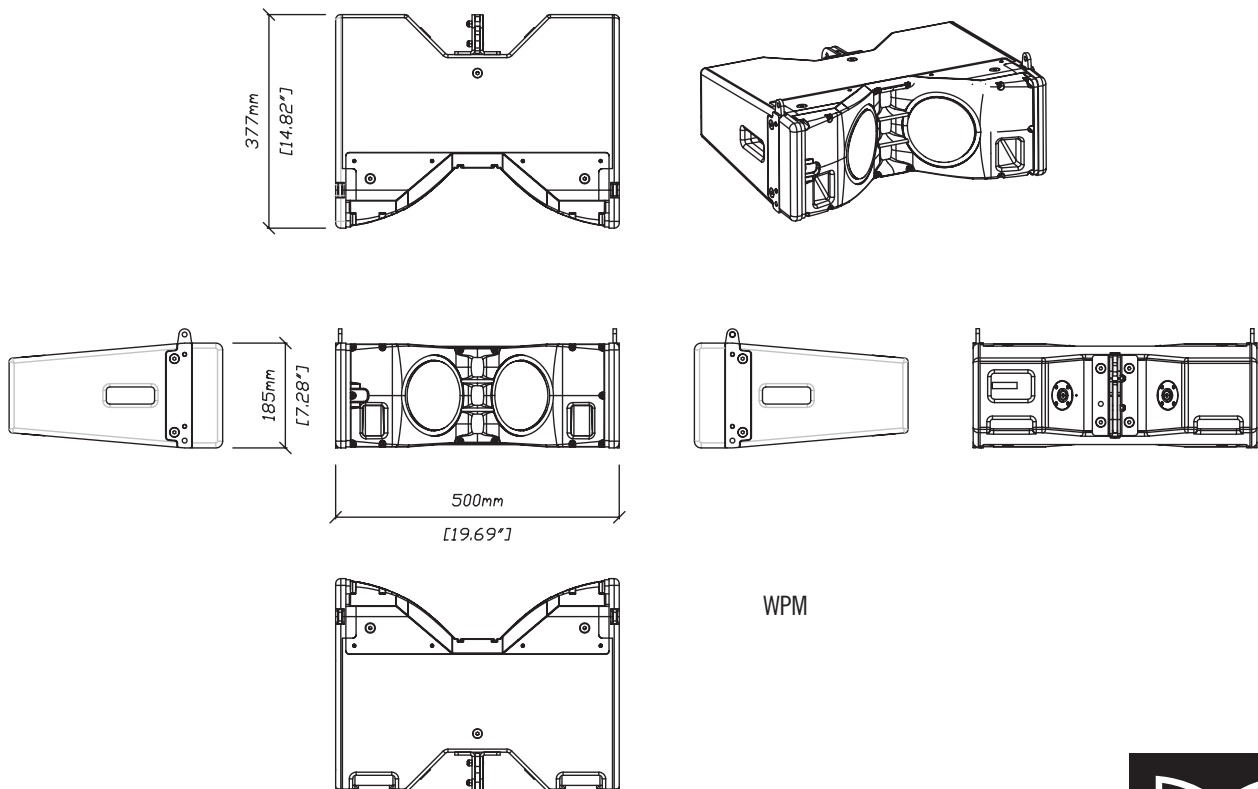


Technical Specifications

TYPE	Two-way, passive line array element
FREQUENCY RESPONSE (5)	76Hz-18kHz \pm 3dB
DRIVERS	
LF	2 x 6.5" (165mm) contoured-diaphragm /2" (50mm) edge-wound CCAW voice coil, neodymium magnet drivers, reflex loaded
HF	3 x 1.4" (35mm) aluminium dome /1.4" (35mm) voice coil, neodymium magnet compression drivers on constant-directivity waveguide
SYSTEM AMPLIFIER	iKON iK81
SYSTEM RESOLUTION	1 to 4 enclosures per amplifier channel
MAXIMUM SPL (9)	130dB peak (1 cabinet)
NOMINAL IMPEDANCE	16 ohms
DISPERSION	100° horizontal (-6dB), 125° horizontal (-10dB) 10° vertical
CROSSOVER	1.2kHz passive
ENCLOSURE	Vertical trapezoid with 5° wall angle, Multi-laminate birch and poplar-ply construction
FINISH	Black textured paint
PROTECTIVE GRILLE	Black HEX perforated steel
CONNECTORS	2 x NL4 type
PIN CONNECTIONS (INPUT)	1+/1-
FITTINGS	Integral 3-point rigging system 2 x side pocket handles 2 x rear grip handles
FLOWN ARRAY MAXIMUM	16 enclosures in single array
DIMENSIONS	(W) 500mm x (H) 185mm x (D) 377mm (W) 19.7in x (H) 7.3in x (D) 14.8in
WEIGHT	14kg (30.9lbs)
ACCESSORIES	Install flying frame Touring flying frame Flying Pin

Notes

- (1) Measured on-axis in half (2pi) space at 2 metres, then referred to 1 metre.
- (2) AES Standard ANSI S4.26-1984.
- (3) Measured in half (2pi) space at 2 metres with 1 watt input, using band limited pink noise, then referred to 1 metre.
- (4) Measured in half (2pi) space at 2 metres using band limited pink noise, then referred to 1 metre.
- (5) Measured on-axis in open (4pi) space at 2 metres, then referred to 1 metre.
- (6) Measured in open (4pi) space at 2 metres with 1 watt input, using band limited pink noise, then referred to 1 metre.
- (7) Measured in open (4pi) space at 2 metres using band limited pink noise, then referred to 1 metre.
- (8) Measured in open (4pi) space at 2 metres with 2.83v input, using band limited pink noise, then referred to 1 metre.
- (9) Calculated at 1 metre.
- (10) Measured in half (2pi) space at 2 metres with 2.83V input, using band limited pink noise, then referred to 1 metre.



WPM



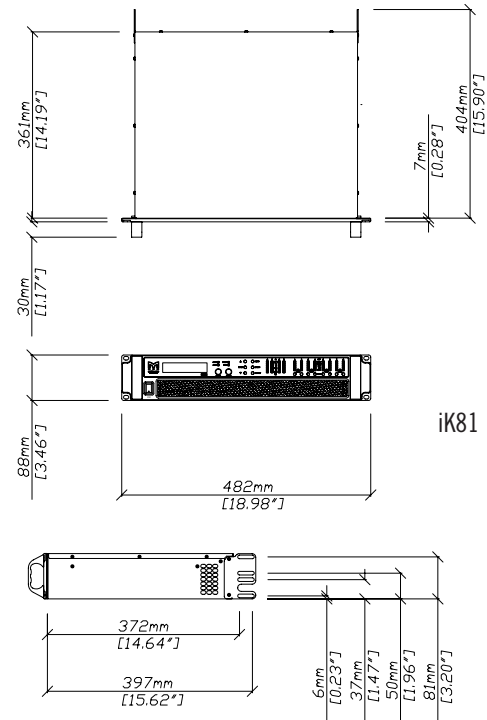
WPM

Optimised Line Array – Two-way, passive line array element

Technical Specifications

iK81 Amplifier

General	
TYPE	Eight-channel Class D amplifier
POWER OUTPUT	8 x 1250W into 2 ohms, all channels driven 8 x 1250W into 4 ohms, all channels driven 8 x 1250W into 8 ohms, all channels driven
DIGITAL SIGNAL PROCESSING	96kHz DSP on all inputs and outputs
COOLING	Dual vari-speed fans, front-to-back airflow
MAXIMUM AMBIENT TEMPERATURE	40°C (104°F)
Audio Inputs/Outputs	
ANALOGUE IN/LINK (4 CHANNELS)	4 x female, 4 x male Neutrik™ XLR
ANALOGUE INPUT IMPEDANCE	20kΩ balanced to ground
MAXIMUM ANALOGUE INPUT LEVEL	+20dBu
NOMINAL SYSTEM GAIN	32dB
AES3 IN/LINK (2 CHANNELS)	1 x female, 1 x male Neutrik™ XLR, balanced
DANTE™ (4 CHANNELS)	2 x shielded RJ45, primary and secondary
AMPLIFIER OUTPUTS	4 x Neutrik Speakon™ NL4
Control and Monitoring Network	
TOPOLOGY	Ethernet
CONTROL APPLICATION	Martin Audio VU-NET™
Power Supply	
TYPE	High performance Series Resonant
AC INPUT OPERATING RANGE	85 – 240V ~ AC, 47 - 63Hz
MAINS INRUSH CURRENT	6A at 115V, 12A at 230V (max for <10ms)
MAINS CONNECTOR	Neutrik 32A Powercon™
Physical	
DIMENSIONS	(W) 483 x (H) 2U/89mm x (D) 357mm (W) 19in x (H) 2U/3.5in x (D) 14.1in incl handles and optional rear support
WEIGHT	12.5kg (27.5lbs)



iKON^o

Trade Descriptions Act

Due to Martin Audio's policy of continuing improvement, we reserve the right to alter these specifications without prior notice. Martin Audio is committed to refining state of the art sound reinforcement, combining in-depth product and field applications research with advanced manufacturing techniques. Every Martin Audio product is built to the highest manufacturing standards and rigorously tested to ensure that it meets the performance criteria specified in the design.

Martin Audio Ltd
Century Point, Halifax Road, High Wycombe
Buckinghamshire HP12 3SL, England

Telephone: +44 (0) 1494 535 312
Email: info@martin-audio.com

All information is Copyright © 2019 Martin Audio Ltd.



www.martin-audio.com

WPM



Optimised Line Array – Two-way, passive line array element

SPL Comparisons Vs Competitors

- The core measurement of SPL is measured differently by manufacturers
- Simply put, many competitors now quote figures based upon a crest factor of 4 (12dB peak vs continuous) and often use the highest sensitivity frequency band (typically HF) to derive their figures given that at LF, where the most power is required, even large amplifiers can't swing twice the peak output volts demanded by a doubling in crest factor from 2 to 4.
- Martin Audio quotes the AES industry standard crest factor of 2 (6dB peak vs continuous) and we ensure our partnering amplifiers are capable of delivering the volts and power to achieve our specs.
- Therefore, if people reading specifications do not understand how SPL is measured and the implications it would appear incorrectly that some competitors have significantly higher SPL.
- While absolute comparable data is not available, some element of logic can be applied for the following products to bring a more realistic comparison.

Product	Peak at Crest factor 2 (6dB)	Peak at Crest factor 4 (12dB)
Martin Audio WPM broadband	130dB*	136dB**
Martin Audio WPM HF band	130dB*	136dB**
d&B T10	124/126**	130 (LF) / 132dB (HF)*
Adamson S7 (2x7")	132dB**	138dB*
L-Acoustics KIVAII	132dB**	138dB*

*Manufacturer quoted

**calculated